

Amana[®]

Self-Cleaning Gas Range Owner's Manual

ARG7800*

ARG7600*

* Additional alphanumeric characters representing other models in series may follow each model number.

Please Read Manual Before Operating Range

Installer

Leave this manual and other literature with consumer for future use.

Customer

Keep these instructions for future reference. If appliance changes ownership, be sure this manual accompanies range.

English	2
Français	30

Para recibir un manual en español gratis, envíe por correo o por fax su nombre, dirección, y número de modelo a:

Amana Appliances
Consumer Communications/Spanish Manual
2800 220th Trail
PO Box 8901
Amana, Iowa 52204-0001
USA
Número de fax 1-319-522-8158

Contents

Model Identification	2
Parts and Accessories	2
Service	2
Asure™ Extended Service Plan	2
Important Safety Information	4
ALL APPLIANCES	4
SELF-CLEANING OVEN	4
OVEN	4
SURFACE COOKING UNITS	4
Delayed Ignition	4
VENTILATION HOOD	5
IN CASE OF FIRE	5
PRECAUTIONS	5
Installation	5
Packing Material	5
Range Location	5
Cabinet Opening	5
Minimum Clearances to Combustible Surfaces	6
Special Countertop Conditions	6
Electrical Connection Requirements	6
Electrical Connection Clearance	7
Gas Connection Requirements	7
Gas Supply Location	7
Gas Supply Pressure	7
Pressure Regulator Location	8
Oven Shutoff Valve	8
Converting for Use with Natural Gas or Propane Gas	8
Gas Connection	11
Testing for Gas Leaks	12
Seal Openings	12
Anti-tip Bracket Installation	12
Place Range	12
Removal and Reinstallation of Range	13
Place Grates and Burner Caps	13
Test and Adjust Surface Burner Flame	13
Test and Adjust Oven Burner Flame	14
Broiler Flame	15
Operation	15
Operating Surface Burners	15
Operating Surface Burner during a Power Failure	16
Cooking Utensils	16
Electronic Oven Control	17
Setting Clock	19
Setting Minute Timer	19
Prepare to Bake	19
Baking	20
Timed Baking	20
Delayed Baking	20
Adjusting Oven Temperature	20
Broiling	21
Prepare for Self-clean and Delayed Self-clean Cycle	21
Self-cleaning	22
Delayed Self-clean Cycle	22

Cooking Guide	23
Baking Guide	23
Broiling Guide	23
Poultry Roasting Guide	24
Beef and Pork Roasting Guide	24
Care and Cleaning	25
Removing Oven Door	25
Removing Storage Drawer	25
Replacing Oven Light	25
Replacing Panel Light Bulb (ARG7800)	25
Cleaning	26
Before Calling for Service	27
Warranty	28
Quick Reference Instructions	29

Model Identification

Complete enclosed registration card and promptly return. If registration card is missing, call Consumer Affairs Department at 1-800-843-0304 inside U.S.A. 319-622-5511 outside U.S.A. When contacting Amana, provide product information located on rating plate. Rating plate is located on the oven frame. Record the following:

Model Number: _____
Manufacturing Number: _____
Serial or S/N Number: _____
Date of purchase: _____
Dealer's name and address: _____

Parts and Accessories

Purchase replacement parts and additional accessories (e.g., refrigerator shelves, dryer racks, or cooktop modules) over the phone. To order accessories for your Amana product, call 1-800-843-0304 inside U.S.A. or 319-622-5511 outside U.S.A.

Service

Keep a copy of sales receipt for future reference or in case warranty service is required. Any questions or to locate an authorized servicer, call 1-800-NAT-LSVC (1-800-628-5782) inside U.S.A. 319-622-5511 outside U.S.A. Warranty service must be performed by an authorized servicer. Amana, also recommends contacting an authorized servicer if service is required after warranty expires.

Asure™ Extended Service Plan

Amana offers long-term service protection for this new range. Asure™ Extended Service Plan is specially designed to supplement Amana's strong warranty. This plan covers parts, labor, and travel charges. Call 1-800-528-2682 for information.

Important Safety Information

WARNING

To reduce the risk of the appliance tipping, it must be secured by a properly installed anti-tip bracket(s). To make sure bracket has been installed properly, remove the storage drawer and look under the range with a flashlight. Bracket(s) must be engaged in the rear corner of the range.



- ALL RANGES CAN TIP
- INJURY TO PERSONS COULD RESULT



- INSTALL ANTI-TIP BRACKET(S) PACKED WITH RANGE
- SEE INSTALLATION INSTRUCTIONS

WARNING

To avoid personal injury, do not sit, stand or lean on oven door or oven drawer.

WARNING

To avoid risk of electrical shock, personal injury, or death, make sure your range has been properly grounded and always disconnect it from main power supply before any servicing.

WARNING

To avoid death, personal injury or property damage, information in this manual must be followed exactly.

Do not store or use gasoline or other flammable vapors and liquids in the vicinity of this or any other appliance.

WHAT TO DO IF YOU SMELL GAS

- Do not try to light any appliance.
- Do not touch any electrical switch; do not use any phone in your building.
- Immediately call your gas supplier from a neighbor's phone. Follow the gas supplier's instructions.
- If you cannot reach your gas supplier, call the fire department.

Installation and service must be performed by a qualified installer, service agency or the gas supplier.

CAUTION

Do not obstruct the flow of combustion or ventilation air.

CAUTION

This appliance contains or produces a chemical or chemicals which can cause death or serious illness and which are known to the state of California to cause cancer, birth defects or other reproductive harm. To reduce the risk from substances in the fuel or from fuel combustion make sure this appliance is installed, operated, and maintained according to the instructions in this booklet.

Important Safety Information

ALL APPLIANCES

1. Proper Installation—Be sure your appliance is properly installed and grounded by a qualified technician.
2. Never Use Appliance for Warming or Heating the Room.
3. Do Not Leave Children Alone—Children should not be alone or unattended in the area where the appliance is in use. They should never be allowed to sit or stand on any part of the appliance.
4. Wear Appropriate Apparel—Loose fitting or hanging garments should never be worn while using appliance.
5. User Servicing—Do not repair or replace any part of the appliance unless specifically recommended in the manual. All other servicing should be referred to a qualified technician.
6. Storage in or on Appliance—Flammable materials should not be stored in oven or near surface units.
7. Do Not Use Water on Grease Fires—Smother fire or flame, or use dry chemical or foam-type extinguisher.
8. Use Only Dry Potholders—Moist or damp potholders on hot surfaces may result in burns from steam. Do not let potholder touch elements. Do not use a towel or other bulky cloth.

SELF-CLEANING OVEN

1. Do Not Clean Door Gasket—The door gasket is essential for a good seal. Care should be taken not to rub, damage, or move the gasket.
2. Do Not Use Oven Cleaners—No commercial oven cleaner or oven liner protective coating of any kind should be used in or around any part of the liner.
3. Clean Only Parts Listed in Manual. See *Cleaning* section.
4. Before Self-Cleaning the Oven—Remove broiler pan, oven racks, and other utensils.
5. Remove all items from rangetop and backguard.

OVEN

1. Use Care When Opening Door—Let hot air or steam escape before removing or replacing food.
2. Do Not Heat Unopened Food Containers—Build-up of pressure may cause container to burst and result in injury.
3. Keep Oven Vents Ducts Unobstructed.
4. Placement of Oven Racks—Always place oven racks in desired location while oven is cool. If rack is removed while oven is hot, do not let potholder contact hot heating element in oven.

SURFACE COOKING UNITS

1. Use Proper Pan Size—This appliance is equipped with one or more surface burners of different sizes. Select utensils having flat bottoms large enough to cover the surface burner flame. The use of undersized utensils will expose a portion of the burner flame to direct contact and may result in ignition of clothing. Proper relationship of utensil to burner will also improve efficiency.
2. Never Leave Surface Burners—Boilover causes smoking and greasy spillovers that may ignite.
3. Protective Liners—Do not use aluminum foil to line oven bottom except as suggested in the manual. Improper installation of these liners may result in a risk of electrical shock, or fire.
4. Glazed Cooking Utensils—Only certain types of glass, ceramic, earthenware, or other glazed utensils are suitable for rangetop service without breaking due to sudden change in temperature.
5. Utensil Handles Should be Turned Inward and Not Extend Over Adjacent Surface Burners—To reduce the risk of burns, ignition of flammable materials, and spillage due to unintentional contact with the utensil, the handle of a utensil should be positioned so that it is turned inward, and does not extend over adjacent surface units.

Delayed Ignition

Surface Burners

Burner should ignite within 4 seconds. If burner does not ignite within 4 seconds turn control knob to *OFF* position and follow directions in "Placing Grates and Burner Caps" and "Before Calling for Service" section. Try burner again. If burner still does not ignite in 4 seconds, contact an authorized servicer.

Bake Burner Flame

Allow no more than 40–60 seconds before burner ignites and heat is felt. To check for heat, open oven door to first stop and place hand over oven door. If heat is not felt, turn temperature knob to *OFF* position. If burner repeatedly fails to ignite, contact an authorized servicer.

Broiler Flame

Allow no more than 40–60 seconds before burner ignites and flame is seen. If burner does not ignite turn temperature knob to *OFF* position. If burner repeatedly fails to ignite within 40–60 seconds contact an authorized servicer.

Radiant screen style broiler flame should appear hazy or fuzzy. Haze should be no more than $\frac{3}{8}$ inch thick. The radiant screen should begin to glow red or orange within 1–2 minutes.

Installation

VENTILATION HOOD

1. Clean Ventilation Hood Frequently—Grease should not be allowed to accumulate on hood or filter.
2. When flaming foods under hood, turn fan off. The fan, if operating, may spread the flame.

In Case of Fire

Fires can occur as a result of over cooking or excessive grease. Though a fire is unlikely, if one occurs, proceed as follows:

Surface Burner Fire

1. Smother the fire with a nonflammable lid or baking soda, or use a Class ABC or BC extinguisher. Not water. Not salt. Not flour.
2. As soon as it is safe to do so, turn the surface burner controls to *OFF*.
 - As an added precaution, turn off gas supply and power at main circuit breaker or fuse box.

Oven Fires

1. If you see smoke from oven, do not open oven door.
2. Turn oven control to *OFF*.
3. As an added precaution, turn off gas supply and power at main circuit breaker or fuse box.
4. Turn on vent to remove smoke.
5. Allow food or grease to burn itself out in oven.
6. If smoke and fire persist, call fire department.
7. If there is any damage to components, call repair service before using range.

Precautions

- Do not cook food directly on rangetop surface, always use cookware.
- Do not mix household cleaning products. Chemical mixtures may interact with objectionable or even hazardous results.
- Do not put plastic items on warm cooking areas. They may stick and melt.
- Do not slide rough metal objects across rangetop surface. Scratching or metal marking can result.
- Do not use damp sponge or dishcloth to clean rangetop when range is hot. Steam from sponge or dishcloth can burn.
- Do not leave fat heating unless you remain nearby. Fat can ignite if overheated by spilling onto hot surfaces.
- Do not allow pots to boil dry as this can cause damage to cooking surface and pan.
- Do not use rangetop surface as a cutting board.

Packing Material

Remove protective packing material from range. Tape residue can be cleaned with a soft cloth and alcohol.

Range Location

Choose a location based on following factors.

- Drafts caused by home heating and air conditioning and open doors or windows can disrupt ventilation air pattern. Range should not be installed near windows or doors.
- Make sure there is adequate space for proper installation.
- Carefully read all instructions before beginning installation.

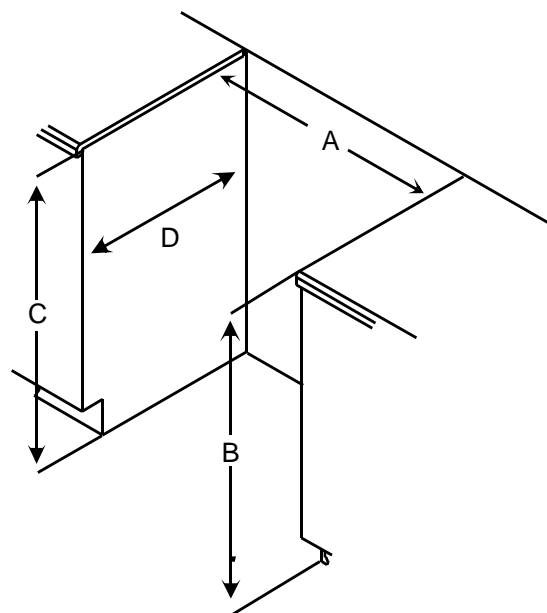
Cabinet Opening



WARNING

To avoid risk of burns or fire by reaching over burners, cabinet storage space located above range should be avoided.

Range should extend approximately 2 inches from cabinet front to oven door handle. Use dimensions in figure below and shown in *Special Countertop Conditions* section to prepare cabinet opening.

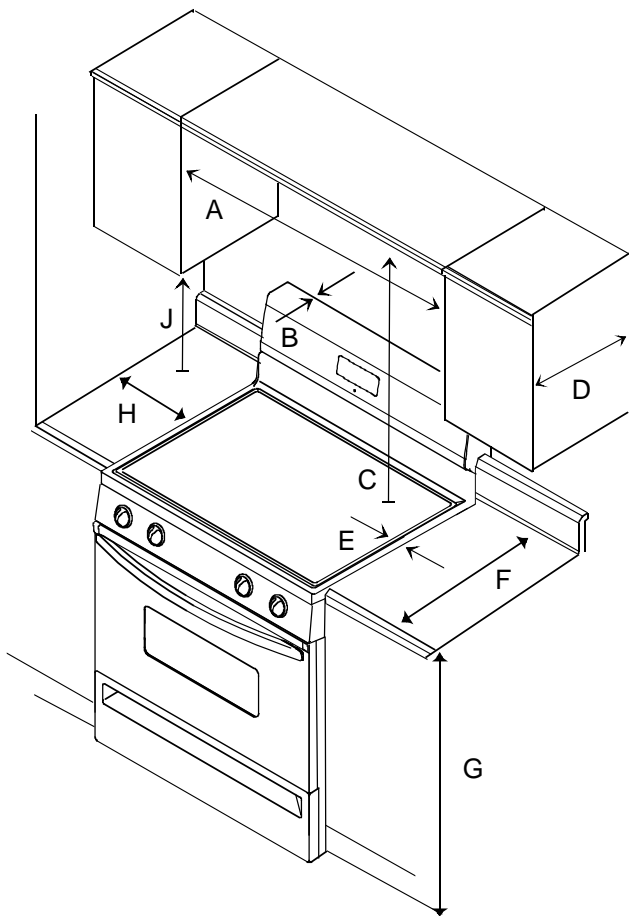


- A— $30\frac{1}{8}$ to $30\frac{1}{4}$ inches
- B—36 inches standard
- C—35 inches standard
- D—23 inches standard

Standard Cabinet and Countertop Height

Minimum Clearances to Combustible Surfaces

- Minimum clearance to rear wall is 0 inches.
- Minimum clearance to a vertical right or left side wall extending above cooking surface is 3 inches.
- Minimum clearance to countertop/cabinet on each side is 0 inches.
- Minimum of 30 inches between top of cooking surface and bottom of an unprotected wood or metal cabinet.
- 24 inches between cooking surface and protected wood or metal cabinet above range. Cabinet bottom must be protected by at least ¼ inch thick millboard with not less than No. 28 MSG sheet steel, .015 inch thick stainless steel, .024 inch thick aluminum, or .020 inch thick copper.



- A—30 inches minimum
- B—0 inches
- C—30 inches unprotected/24 inches protected minimum
- D—13 inches
- E—0 inches
- F—25 inches maximum
- G—36 inches maximum
- H—3 inches minimum (Both sides of range)
- J—18 inches minimum

Minimum Clearances to Combustible Surfaces

Special Countertop Conditions

Countertops such as ceramic tile tops cause cabinet and countertop to be higher than 36 inches. Follow instructions below when countertop is higher than 36 inches.

1. Raise leveling legs to maximum level.
2. Measure from floor to side trim. If measurement is less than height of countertop floor must be shimmed.
3. Shim floor using a piece of plywood same size as range opening. Secure plywood to floor. Plywood must be as secure as original flooring.
4. Install anti-tip bracket(s) and slide range into place.

Electrical Connection Requirements

WARNING

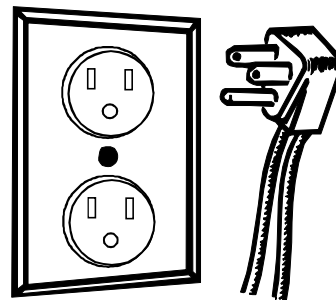
To avoid the risk of serious electrical shock or property damage, do not cut or remove the third (ground) prong from the power plug. A 3-wire grounded conductor system must be used. Relying on the flexible connector, hard piping or any other part of the gas supply line as a ground may cause fire, electrical shock and/or erratic control operation.

Range must be electrically grounded in accordance with local codes or in the absence of local codes, with the National Electrical Code, ANSI/NFPA No. 70-Latest Edition.

In Canada, electrical connections are to be made in accordance with CSA C22.1 Canadian Electrical Code. All electrical connections are to be made in accordance with CSA standards Z240.6.1 electrical requirements for mobile homes.

Use a 120 volt, 60 hertz, 3-prong receptacle protected by a 15 amp circuit breaker or time delay fuse. A qualified electrician should confirm the outlet is properly grounded.

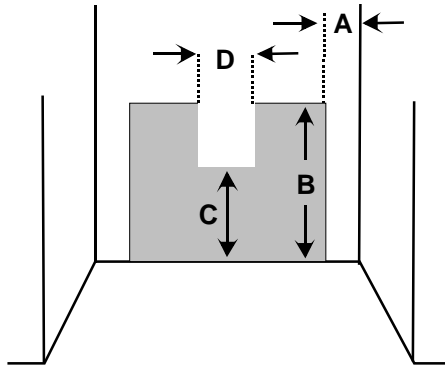
If a 2-prong outlet is encountered, range owner must replace outlet before using range. Do not cut off cord, use plug adapter or extension cord, or remove grounding plug.



Grounded Plug and Receptacle

Electrical Connection Clearance

Electrical connection must be located in the area shown. Electrical connection must not interfere with gas connection.

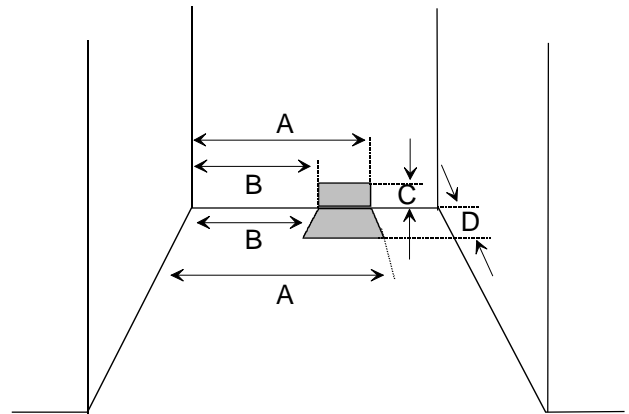


- A—2 inches (Both sides)
- B—19½ inches
- C—12 inches
- D—6 inches

Electrical Connection Clearance

Gas Supply Location

Gas supply must be located in the area shown. Gas connection must not interfere with the electrical connection.



- A—26 inches
- B—20 inches
- C—2¼ inches
- D—4 inches

Gas Supply Location

Gas Connection Requirements

Before connecting this appliance to the gas supply piping system, confirm installation meets the requirements of local codes, or in the absence of local codes, with the National Fuel Gas Code, ANSI Z223.1-Latest Edition.

When installed in mobile housing, installation is to be in accordance with CSA standard Z241.1 gas equipped mobile housing.

The installation of appliances designed for manufactured (mobile) home installation must conform with Manufactured Home Construction and Safety Standard, Title 24 CFR, Part 3280, or when such standard is not applicable, the Standard for Manufactured Home Installation, ANSI225.1/NFPA 501A-Latest Edition, or with local codes or the standard CAN/CSA-z240MH, "Mobile Homes", and with local codes where applicable.

The installation of appliances is to be in accordance with CAN1-B149.1 or B149.2 installation code for gas burning appliances and equipment and/or local codes. Part 1 and/or local codes.

Gas Supply Pressure



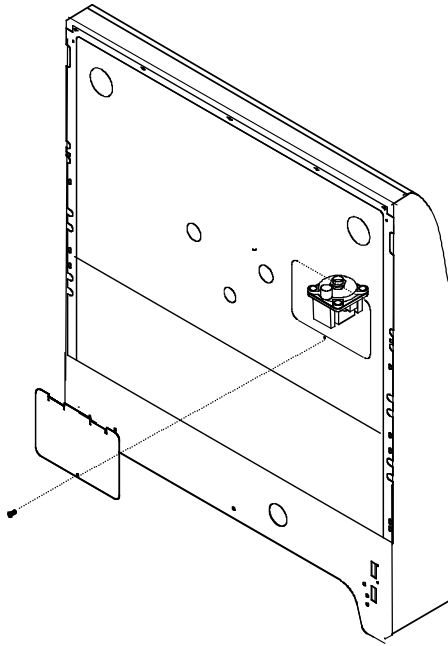
CAUTION

To avoid property damage, maximum gas supply pressure must not exceed 14" WCP.

- Appliance and individual shutoff valve must be disconnected from the gas supply piping system during any pressure testing of that system at test pressures in excess of ½ psig (3.5kPa) (14" WCP).
- Appliance must be isolated from gas supply piping system by closing manual shutoff valve during any pressure testing of the gas supply piping system at test pressures equal to or less than ½ psig (3.5kPa) (14" WCP).
- Gas supply pressure for checking regulator setting must be at least 1" WCP above manifold pressure shown on rating label.

Pressure Regulator Location

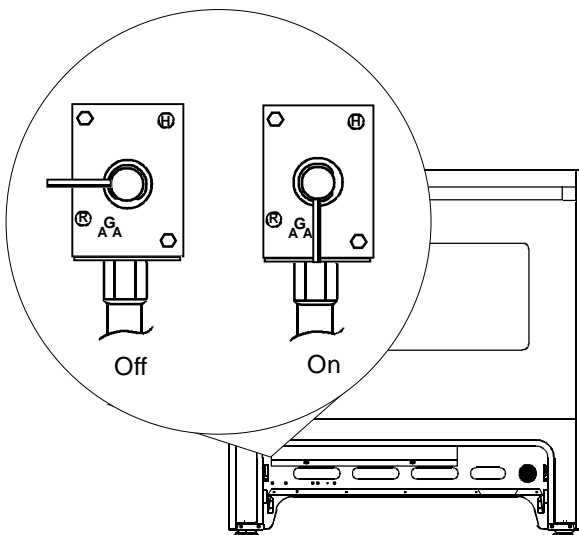
Remove rear cover to expose pressure regulator.



Regulator Cover

Oven Shutoff Valve

Gas valve to oven is turned on at factory, but could accidentally be turned off during installation. Verify valve is turned on.



Check Oven Shutoff Valve

Converting for Use with Natural Gas or Propane Gas

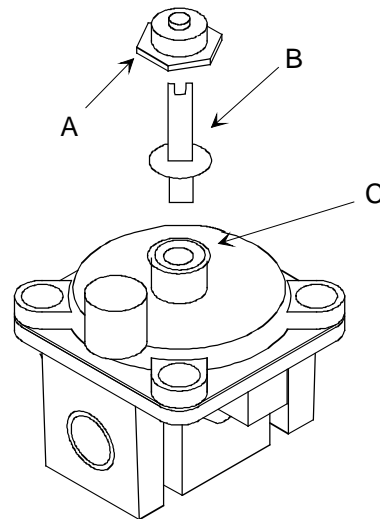
This range arrives from factory adjusted for use with natural gas. If using LP/propane gas is desired, range must be converted. See "Type 1" or "Type 2" regulator.

WARNING

To avoid electric shock that can cause personal injury or death, disconnect main electrical supply to range before servicing.

Converting Type 1 Pressure Regulator for Use with LP/ Propane

1. Remove pressure regulator cap with a wrench.
2. Remove plastic insert from pressure regulator cap.
 - Plastic insert fits tightly in cap.
3. Reverse plastic insert and carefully push plastic insert firmly into hole in pressure regulator cap.
 - Cap must show "LPG10" or "LP10".



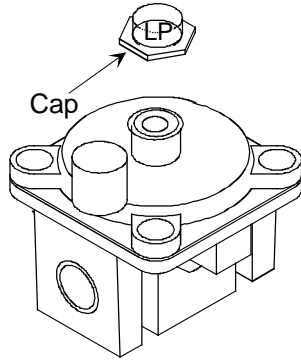
- A—Cap
- B—Plastic Insert (LP setting)
- C—Spring Location

Type 1 Pressure Regulator

4. Place pressure regulator cap on pressure regulator and tighten.
 - Insert should not disturb spring in body of regulator.

Converting Type 2 Pressure Regulator for Use with LP/Propane

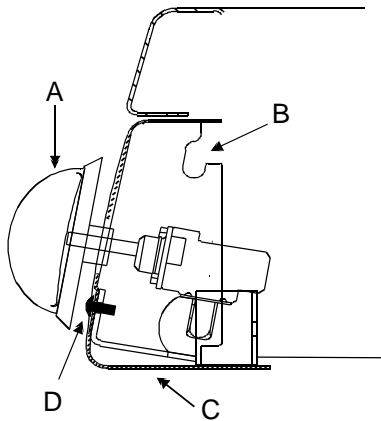
1. Remove pressure regulator cap with a wrench.
2. Reverse pressure regulator cap.
 - Cap must show "LP".
3. Place pressure regulator cap on pressure regulator and tighten.



Type 2 Pressure Regulator

Converting Surface Burners for Use with LP/Propane

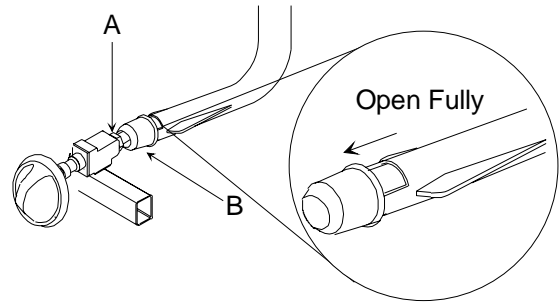
1. Remove 4 burner control knobs from range.
 - Exposes 2 screws on burner control panel.
2. Remove 2 screws from burner control panel.
 - Panel drops slightly after screws are removed.
3. Grasp bottom of burner control panel, gently lift and pull out panel until clear of burner valve stems.
 - After burner control panel clears valve stems, continue to roll panel until free from range. Set aside. See *Pivot Point* in figure.
 - Gas valve and orifice hood are visible after burner control panel is removed.



A—Burner Control Knob
B—Pivot Point
C—Burner Control Panel
D—Screw

Burner Control Panel

4. While facing range front, turn orifice hoods counterclockwise $1\frac{1}{2}$ to 2 turns or until snug.
 - Use $\frac{1}{2}$ inch open end or 90° offset open end wrench.
 - Do not over tighten orifice hoods. If orifice hoods are over tightened, gas supply can be cutoff or orifice hoods can strip.
5. Open air shutter fully.



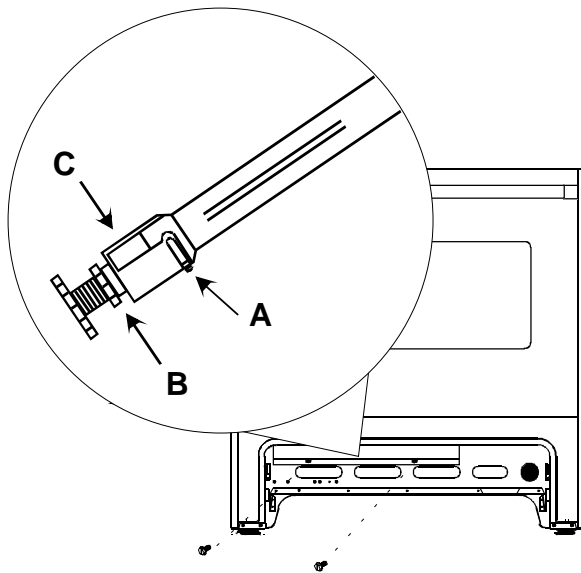
A—Orifice Hood
B—Air Shutter

Converting Surface Burners for Use with LP/Propane

6. Reassemble burner control panel after adjusting air shutter.
 - See *Adjusting Surface Burner Flame* section.

Converting Oven Burner for Use with LP\Propane

1. Remove storage drawer.
 - See *Removing Storage Drawer* section.
2. Locate and remove 2 screws attaching Z-shaped cover plate.
 - Cover plate located in center, rear of storage drawer cavity.
 - Removing cover plate exposes oven burner orifice and air shutter.
3. Turn orifice hood clockwise until snug.
 - Do not overtighten orifice hoods. Orifice hoods can strip.
4. Replace cover plate and storage drawer.



A—Air Shutter Screw
B—Orifice Hood
C—Air Shutter

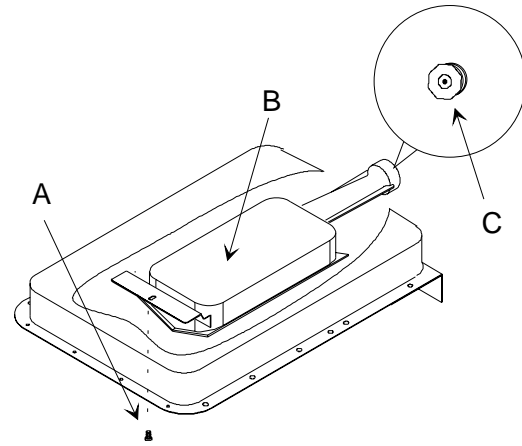
Converting Oven Burner

Converting Broiler Burner for Use with LP\Propane

1. Locate orifice spud attached adjacent to pressure regulator and remove for later use.
 - Orifice spud used for LP/propane gas is silver and is stamped "58".
2. Open oven door and locate broiler burner on oven ceiling.
 - Remove oven door to make conversion easier. See *Removing Oven Door* section.
3. Remove 2 screws securing front of burner to oven ceiling and remove broiler.
 - Be careful not to damage ignitor while removing broiler.
4. Unscrew natural gas burner spud stamped "52"

with $\frac{5}{16}$ inch socket wrench and replace with LP/propane burner spud stamped "58".

- Attach unused burner spud near regulator for future use.
5. Reinstall broiler and, if necessary, oven door.



A—Screw
B—Broiler
C—Spud/Orifice

Converting Broiler Burner

Converting Type 1 Pressure Regulator for Use with Natural Gas

1. Remove pressure regulator cap with a wrench.
2. Remove plastic insert from pressure regulator cap.
 - Plastic insert fits tightly in cap.
3. Reverse plastic insert and carefully push plastic insert firmly into hole in pressure regulator cap.
 - Insert must show "NAT" or be blank.
4. Place pressure regulator cap on pressure regulator and tighten.
 - Insert should not disturb spring in body of regulator.

Converting Type 2 Pressure Regulator for Use with Natural Gas

1. Remove pressure regulator cap with a wrench.
2. Reverse pressure regulator cap.
 - Insert shows "NAT" or is blank.
3. Place pressure regulator cap on pressure regulator and tighten.

Converting Surface Burners for Use with Natural Gas

1. Remove 4 burner control knobs from range.
 - Exposes 2 screws on burner control panel.
2. Remove 2 screws from burner control panel.
 - Panel drops slightly after screws are removed.
3. Grasp bottom of burner control panel, gently lift and pull out panel until clear of burner valve stems.
 - After burner control panel clears valve stems, continue to roll panel until free from range. Set aside.
 - Gas valve and orifice hood are visible after burner control panel are removed.
4. While facing range front, turn orifice hoods clockwise 1½ to 2 turns.
 - Use ½ inch, 90° offset crescent wrench.
5. Reassemble burner control panel after adjusting air flow to surface burner flame.
 - See *Adjusting Surface Burner Flame* section.

Converting Oven Burner for Use with Natural Gas

1. Remove storage drawer.
 - *Removing Storage Drawer* section.
2. Locate and remove 2 screws attaching Z-shaped cover plate.
 - Cover plate located in center, rear of storage drawer cavity.
 - Removing cover plate exposes oven burner orifice and air shutter.
3. Turn orifice hood counterclockwise 2 full turns.
4. Replace cover plate and storage drawer.

Converting Broiler Burner for Use with Natural Gas

1. Locate orifice spud attached adjacent to pressure regulator and remove for later use.
 - Orifice spud used for natural gas is brass and is stamped "52".
2. Open oven door and locate broiler burner on oven ceiling.
 - Remove oven door to make conversion easier. See *Removing Oven Door* section.
3. Remove 2 screws securing front of burner to oven ceiling and remove broiler.
 - Be careful not to damage ignitor as you remove broiler.
4. Unscrew LP/propane burner spud stamped "58" with 5/16 inch socket wrench and replace with natural gas burner spud stamped "52".
5. Reinstall broiler and, if necessary, oven door.

Gas Connection

Connect gas supply to regulator using hard pipe or flexible connector (Check local codes). Pressure regulator supplied with this appliance has a ½ inch NPT female connection. If gas union is used, remove storage drawer, slide range into place, and connect union.

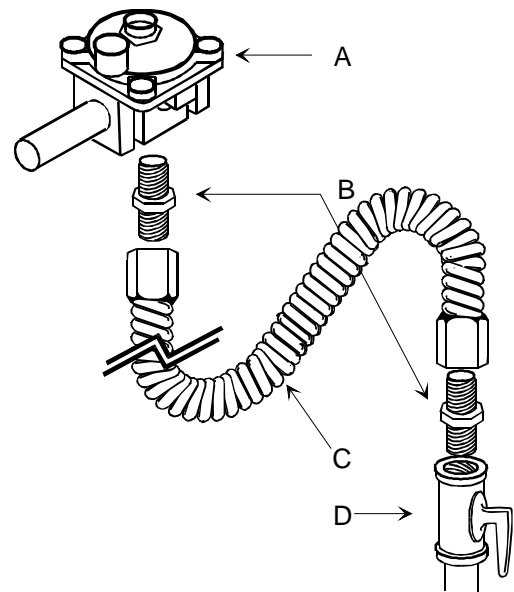
- Refer to National Fuel Gas Code or local codes for supply pipe size requirements to assure sufficient gas supply to unit.
- A manual shutoff, not supplied with range, must be installed in an accessible location outside of range.
- Use joint compound that is resistant to action of propane gas on all male pipe threads.
- Use supplied pressure regulator only.
- Do not overtighten gas fitting when attaching to pressure regulator. Overtightening may crack regulator.
- Support pressure regulator with wrench when installing gas fitting.



WARNING

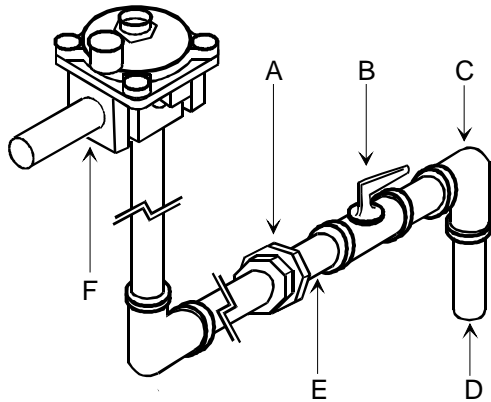
To avoid property damage or personal injury, only use a new flexible connector that is AGA/CGA design certified.

- Do not use an old connector.
- Do not reuse a connector after moving appliance.



- A—Regulator
B—Adaptor
C—Flexible Connector
D—Manual Shut Off Valve

Flexible Connection



- A—Union
- B—Manual Shut Off Valve
- C—Reducing Elbow (3/4-inch to 1/2-inch)
- D—3/4-inch Stub
- E—1/2-inch Nipple
- F—Regulator

Hardpipe Connection

Testing for Gas Leaks

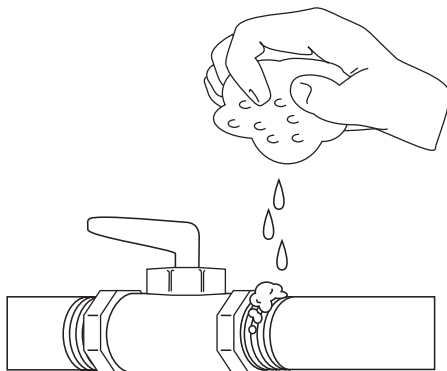
After final gas connection is made, turn on manual gas valve and test all connections in gas supply piping and range for gas leaks.



WARNING

To avoid property damage or serious personal injury, never use a lighted match to test for gas leaks.

1. Place soap suds on connection.
 - Bubbles appear if leak is present.
2. If bubbles appear, shut off gas supply valve.
3. Tighten joint if leak is at factory fitting.
 - If leak is not at factory fitting, unscrew, apply more joint compound, and tighten to correct leak.
4. Retest connection for leak after tightening.
 - Retest any connections that were disturbed.



Test for Gas Leaks

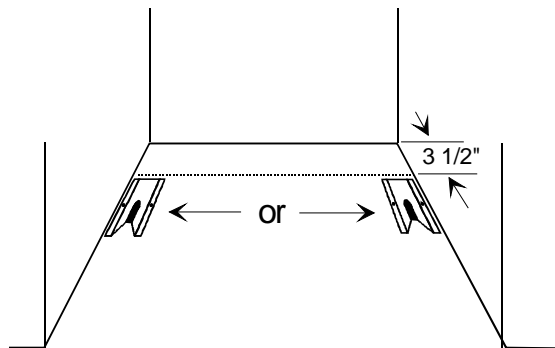
Seal Openings

Openings in wall behind the range or on floor under range must be sealed before sliding range into position.

Anti-tip Bracket Installation

To reduce risk of range tipping, secure range with a properly installed anti-tip bracket.

1. Measure 3 1/2 inches from back wall on right and left side of cabinet cutout. Mark measurements on floor and draw a straight line connecting marks.
2. Position anti-tip bracket.
 - If range is installed beside cabinet(s), place anti-tip bracket with back edge on line drawn on floor and side of bracket against cabinet.
 - If range is not installed beside cabinet(s), position range where it will be installed. Draw a line along side of range on floor from front to back. Remove range. Place anti-tip bracket with back edge over line drawn 3 1/2 inches from back wall and side of bracket over line drawn along side of range on floor.
 - Anti-tip bracket can be installed on either right or left side.



Anti-tip Bracket Installation

3. Mark 2 hole locations in anti-tip bracket.
4. Drill 2 holes.
 - If drilling into wood, use a 3/32 inch drill bit.
 - If drilling into concrete, use a 3/16 inch masonry drill bit and insert plastic anchors.
5. Secure bracket to floor using screws supplied.
6. Slide range into position.
7. Remove range storage drawer and confirm anti-tip bracket is engaged with range leveling leg after range is in place.

Place Range

Plug in range. Slide range into place. Carefully level range using legs provided. Range must be level to cook and bake uniformly.

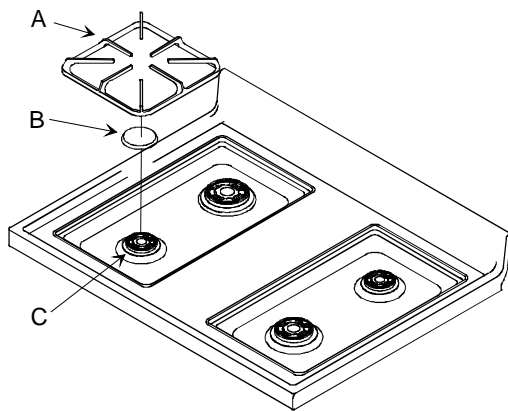
- Place a level on top oven rack or on top of range when leveling.
- Leveling legs must be extended out 1/4 inch to engage anti-tip bracket.

Removal and Reinstallation of Range

1. Unplug range cord.
2. Turn off gas valve and disconnect gas supply.
3. Remove range and place aside.
4. Remove anti-tip bracket and reinstall anti-tip bracket into new location using instructions provided with bracket.
5. To reinstall range, follow instructions in *Installation* section of this manual.
 - Do not reuse a flexible connector after moving appliance.

Place Grates and Burner Caps

Place burner cap on burner base and grate on rangetop.



- A—Burner grate
- B—Burner cap
- C—Burner base

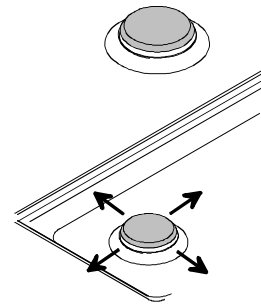
Place Grates and Burner Caps

Pegs in the burner base fit into recess in underside of burner cap. To make sure cap is properly aligned and leveled, move burner cap around on burner base. Burner cap must be correctly seated on burner base for proper operation of burner.

Make sure proper cap size is on each burner base. Burner does not burn properly if wrong size burner cap is placed on burner base.

Turn on burners to check for proper operation. See *Operating Surface Burners* section for burner operating instructions.

Correct



Not centered Too small Too large

Burner Caps

Test and Adjust Surface Burner Flame

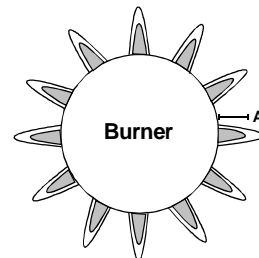
WARNING

To avoid electric shock that can cause personal injury or death, disconnect main electrical supply to range before servicing.

Turn on burner. See *Operating Surface Burners* section for burner operating instructions. Surface burner should ignite within 4 seconds. Properly adjusted surface burner flames are clean and blue with a distinct inner cone approximately $\frac{1}{4}$ inch to $\frac{1}{2}$ inch long. Some yellow flame is normal when burning LP/Propane.

See Adjusting Air Shutter section,

- If burner flame is blowing or noisy, reduce airflow to burner.
- If burner flame does not hold its shape, increase airflow to burner.

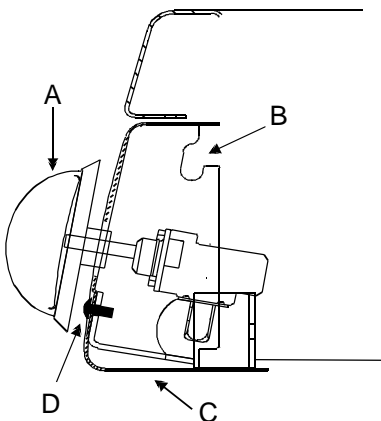


A— $\frac{1}{4}$ inch to $\frac{1}{2}$ inch long

Surface Burner Flame

Adjusting Air Shutter

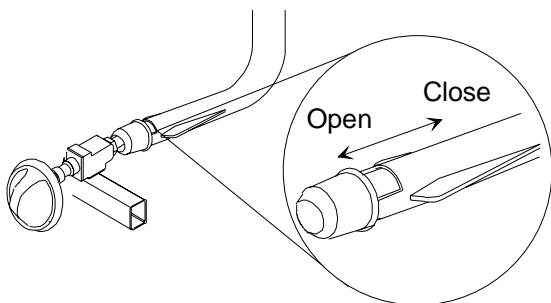
1. Remove 4 burner control knobs from range.
 - Exposes 2 screws on burner control panel.
2. Remove 2 screws from burner control panel.
 - Panel drops slightly after screws are removed.
3. Grasp bottom of burner control panel, gently lift and pull out panel until clear of burner valve stems.
 - After burner control panel clears valve stems, continue to roll panel until free from range. Set aside. See *Pivot Point* in figure.
 - Gas valve and orifice hood are visible after burner control panel is removed.



- A—Burner Control Knob
B—Pivot Point
C—Burner Control Panel
D—Screw

Burner Control Panel

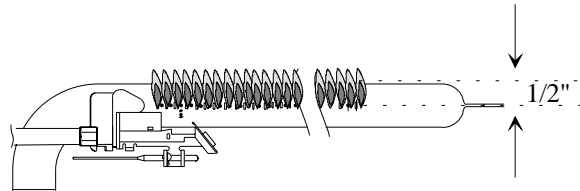
4. Slide air shutter open or closed depending on appearance of burner flame.
 - If flame is yellow and does not hold its shape, open air shutter.
 - If flame is blowing or noisy, close air shutter.
5. Reassemble burner control panel.



Adjusting Air Shutter

Test and Adjust Oven Burner Flame

Properly adjusted oven burner flames are blue with a distinct deep blue inner cone approximately $\frac{1}{2}$ inch long. When using natural gas, flame should not have any yellow flame when burning. Some yellow flame when burning LP\propane gas is normal.



Properly Adjusted Flame

Flame should not be visible in the oven cavity when burning and should not extend into the oven cavity beyond the removable oven bottom.

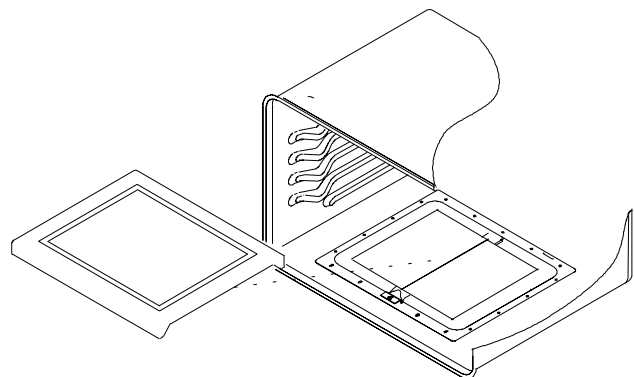
Removing Oven Bottom



CAUTION

To avoid risk of cuts, wear protective gloves when removing oven bottom. Sharp edges around oven bottom can cut.

1. Pull oven bottom forward and lift out.
2. Replace oven bottom. Oven bottom has tabs in rear that fit into oven floor slots.

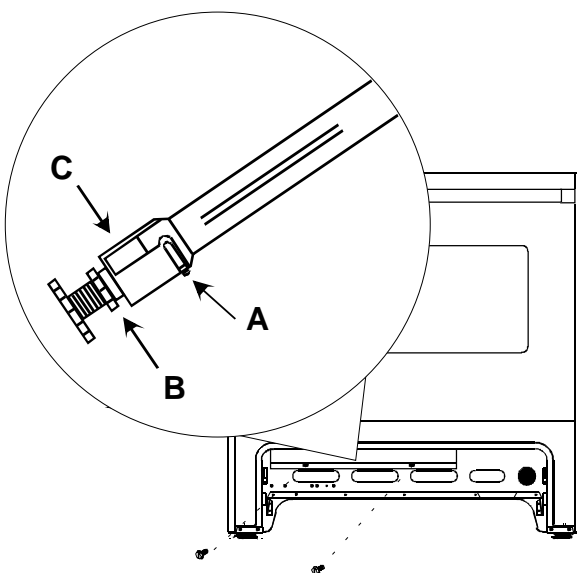


Burner Area

Operation

Adjust Oven Burner Flame

1. Remove storage drawer.
 - See *Removing Storage Drawer* section.
2. Locate and remove 2 screws attaching Z-shaped cover plate.
 - Cover plate located in center, rear of storage drawer cavity.
 - Removing cover plate exposes oven burner orifice and air shutter.
3. Loosen air shutter lock screw and open or close air shutter.
 - If burner flame is blowing or noisy, reduce airflow to burner.
 - If burner flame is yellow and does not hold its shape, increase airflow to burner.
 - Tighten air shutter lock screw after adjusting.
4. Replace cover plate and storage drawer.



A—Air Shutter Screw
B—Orifice Hood
C—Air Shutter

Adjusting Oven Burner Flame

Broiler Flame

Radiant Screen Style

Broiler flame should appear hazy or fuzzy. Haze should be no more than $\frac{3}{8}$ inch thick. The radiant screen should begin to glow red or orange within 1–2 minutes.

Because broiler has a fixed orifice it can not be adjusted. Broiler does not have an air shutter.

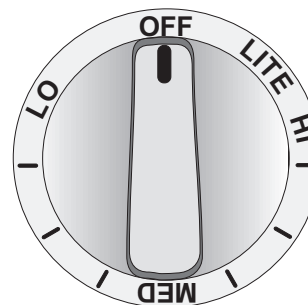
Operating Surface Burners



WARNING

To avoid risk of serious personal injury, property damage, or fire, do not leave burners unattended while in operation. Grease and spillovers can ignite causing a fire.

1. Push burner knob in and turn control knob counterclockwise to *LITE* position.
 - Burner should ignite within 4 seconds. If burner does not ignite within 4 seconds turn control knob to *OFF* position and follow directions in “Placing Grates and Burner Caps” and “Before Calling for Service” section. Try burner again. If burner still does not ignite in 4 seconds, contact an authorized servicer.

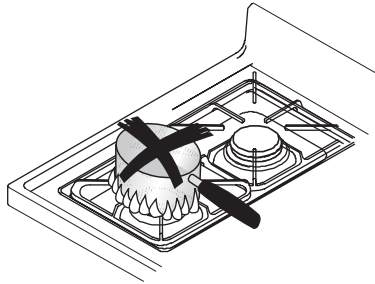


Burner Knob

2. After gas ignites, turn control to desired setting.
 - Each control knob can be set to any required cooking temperature. Burner settings do not have distinct clicks.
 - Use *HI* to bring food to boiling temperatures. When food is boiling temperature setting should be reduced.
 - After lighting burner do not operate burner for long periods of time without cookware on the grate. The finish on the grate can chip without cookware to absorb heat.
3. Turn control knob to *OFF* position when finished cooking.

Adjusting Burner Flame Size

- While turning the burner control knob, watch the burner flame.
- Flame size should match the size of the pan. Do not allow the flame to extend up the sides of the pan. Flames that extend up the sides of the pan can ignite clothing, make handle hot, or burn.



Adjusting Burner Flame Size

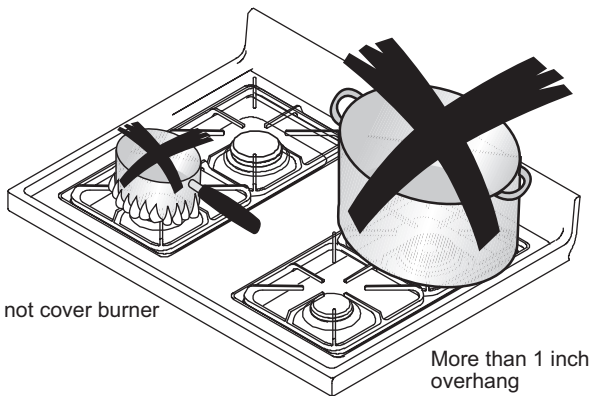
Operating Surface Burner during a Power Failure

Although the system that lights the burners is electric, surface burners can be ignited during a power failure. Never attempt to light bake or broil burners during power failure.

1. Hold match at base of desired burner.
2. Push in burner control knob and turn to *LITE* position.
3. After gas ignites, remove match from burner and turn burner control knob to desired setting.

Cooking Utensils

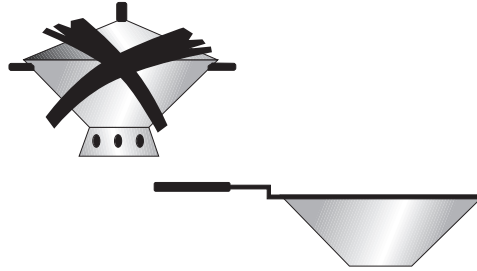
- Use proper pan size. Do not use a pan that has a smaller bottom than surface burner. Do not use utensils that overhang grate by more than 1 inch.



Use Proper Pan Size

- Use care when using glazed cooking utensils. Some glass, earthenware, or other glazed utensils break due to sudden temperature changes.
- Select utensils without broken or loose handles.
- Handles should not be heavy enough to tilt pan.

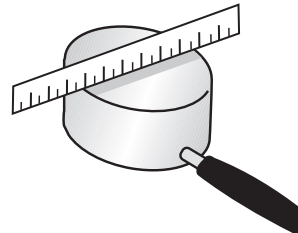
- Do not use stove top grills on your range. Stove top grills cause incomplete combustion and can create levels of carbon monoxide above allowable standards.
- Do not use a wok with a ring stand. Use flat bottom wok.



Woks

To avoid pan wobbling, use a pan with a flat bottom. Determine if pan has a flat bottom.

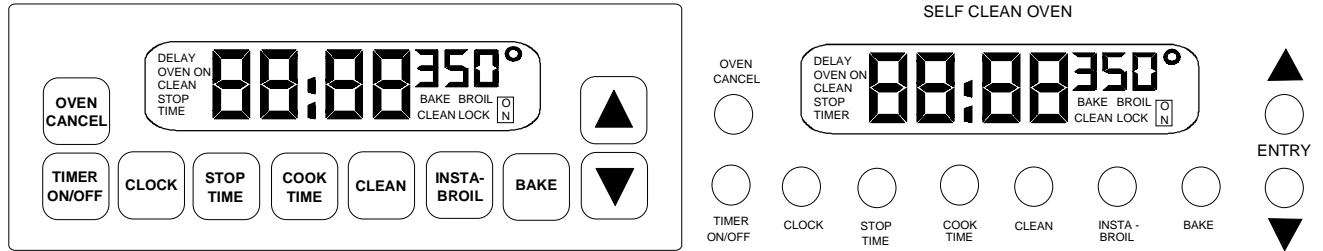
1. Rotate a ruler along bottom of pan. If pan is not flat, gaps between bottom of pan and edge of ruler occur.
2. A small groove or mark on a pan does not effect cooking times. However, if a pan has a gap, formed rings, or an uneven bottom, it does not cook efficiently and in some cases may not boil liquid.



Flat Pan Test

Utensil Material Characteristic		
Type	Temperature Response	Uses
Aluminum	Heats and cools quickly	Frying, braising, roasting
Cast Iron	Heats and cools slowly	Low heat cooking, frying
Copper Tin Lined	Heats and cools quickly	Gourmet cooking, wine sauces, egg dishes
Enamelware	Depends on base metal	Low heat cooking
Ceramic (Glass)	Heats and cools slowly	Low heat cooking
Stainless Steel	Heats and cools at moderate rate	Soups, sauces, vegetables, general cooking

Electronic Oven Control



ARG7600 and ARG7800 Electronic Oven Control

Pad	Description
OVEN CANCEL	Cancels any cooking or cleaning function except timer.
TIMER ON/OFF	Use to time any kitchen function or cancel timer. Does not control bake, broil, or clean function.
CLOCK	Use to set time of day.
STOP TIME	Use to set delayed bake and self-clean.
COOK TIME	Use to set timed baking.
CLEAN	Use to select self-clean cycle.
INSTA-BROIL	Use to select broil.
BAKE	Use to select bake.
▼ or ▲	Use to set temperature or time.

Oven Signals

Timer signal	When time elapses, timer beeps 3 times then approximately once every 6-8 seconds until TIMER ON/OFF pad is pressed.
Preheat signal	After setting oven to bake and selecting a temperature, oven preheats. When oven reaches set temperature, 1-second signal sounds.
End-of-Cycle signal	When a timed cooking cycle is complete, three long signals sound. Then, once every 6-8 seconds for 5 minutes or until OVEN CANCEL pad is pressed. If minute timer end of cycle signal is sounding, push TIMER ON/OFF pad.

Oven Switches

Panel Light (ARG7800) (Not Shown)	Used to light backguard and illuminate cooking surface.
Oven Light Switch (Not Shown)	Oven light turns on when oven door is opened or when switch on control panel is turned on.

Display



Displays time-of-day, timer, and timed or delayed bake settings.



Displays temperature and cooking method for oven.

Display Glossary

TIME	TIME displays while time-of-day, timed or delayed baking, or delayed self-cleaning is set.
BAKE	BAKE displays while bake is set and used.
ON	Displays when oven is heating.
DELAY	Displays when delayed bake or clean self-cycle is set. Oven is not heating.
STOP	Displays when setting the stop time for a delayed baking or self-clean cycle.
BROIL	Displays when a broil is set and used.
CLEAN	Displays when self-clean cycle is set and used.
LOCK	LOCK flashes while oven door is locking and remains in display while door is locked. After cycle is complete and oven has cooled to a safe temperature, LOCK no longer displays and door can be opened.

Other Features

12-hour automatic cancel	This safety feature prevents oven from continuing to operate if it has been left on for over 12 hours. If a cooking function continues longer than 12 hours without any options on oven control being touched, this feature turns oven off. Any time an option is touched, 12-hour automatic cancel is reset.
Child lockout	This safety feature is used to prevent children from accidentally programming oven by disabling electronic oven control. Press and hold BAKE and COOK TIME for 5 seconds. "OFF" displays where the temperature normally appears. To reactivate control, press and hold BAKE and COOK TIME pads for 5 seconds on the upper oven control. Child lockout must be reset after a power failure.
Service codes and tones	Electronic oven control is equipped with a self diagnostic system. Self diagnostic system alerts you if there is a error or problem in the control. If electronic range control sounds a series of short, rapid beeps for over 16 seconds and display shows a F-code, record the F-code shown. Some F-codes can be cleared by touching OVEN CANCEL or disconnecting power to the range. If the code continues to reoccur, disconnect electrical supply and contact an authorized servicer. F1—Control malfunction F2—High oven temperature F3—Temperature sensor malfunction F4—Temperature sensor malfunction F7—Touch pad malfunction F9—Door lock malfunction (Door unlocked) FF—Door lock malfunction (Door locked)

Setting Clock

1. Press CLOCK pad.
 - "TIME" displays.
2. Press ▲ or ▼ pad until correct time of day displays.
3. Press OVEN CANCEL pad to set time.
 - If OVEN CANCEL pad is not pressed, approximately 30 seconds after last entry, "TIME" disappears and time is set.

Setting Minute Timer

1. Press TIMER ON/OFF pad.
 - "TIMER" displays.
2. Press ▲ or ▼ pad until desired amount of time is displayed.
 - Timer can be set from 5 seconds to 9 hours and 50 minutes.
 - Timer begins counting down automatically.
3. When time elapses timer beeps 3 times then approximately once every 6-8 seconds.
 - Press TIMER ON/OFF to cancel beep but remain in timer mode.

Canceling Minute Timer

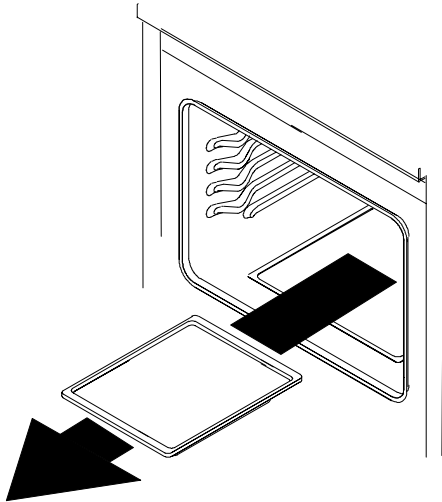
Press and hold the TIMER ON/OFF pad for approximately 3 seconds.

- When canceling minute timer do not press OVEN CANCEL pad. Pressing OVEN CANCEL pad cancels cooking function.

Prepare to Bake

Remove Items Stored in Oven

Remove any pans and other cooking utensils stored in oven. Items left in oven can cause damage to the oven or item in oven.



Remove Items Stored in Oven

Oven Rack Placement

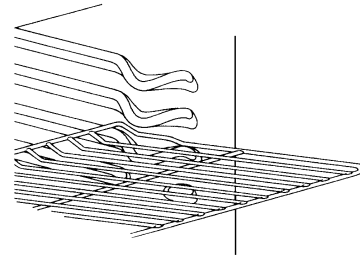
Position oven rack before turning oven on.



WARNING

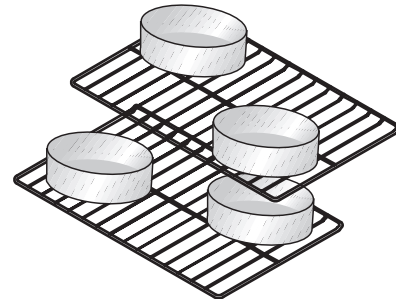
To avoid damaging oven liner or creating fire, do not line oven bottom or oven racks with foil.

1. Pull rack forward to stop position.
2. Raise front edge of rack and pull until rack is out of oven.
3. Place rack in new rack position.
 - Curved edge of rack must be toward rear of oven.



Oven Rack Placement

- Keep pans and baking sheets 2 inches from oven walls.
- Stagger pans placed on different racks so one is not directly over the other.



Pan Placement

Check for Bake Burner Flame

Allow no more than 40–60 seconds before burner ignites and heat is felt. To check for heat, open oven door to first stop and place hand over oven door. If heat is not felt, turn temperature knob to *OFF* position. If burner repeatedly fails to ignite, contact an authorized servicer.

Baking

Open oven door to confirm nothing is stored in oven cavity and set racks to proper height before baking. Preheat approximately 15-20 minutes before placing delicate foods inside oven.

1. Press BAKE pad.
 - “BAKE” and “---°” display.
2. Press ▲ or ▼ pad until desired temperature is displayed.
 - Temperature begins at 350°F and can be set from 170°F to 550°F in 5 degree increments.
 - Temperature starts at 100°F and increases in 5° increments until reaching set temperature. Some minor smoking is normal when using oven for first time. When cook temperature is reached oven signal sounds for approximately 1 second.
3. Press OVEN CANCEL pad when finished.
 - Remove food from oven when cooking time has elapsed. Food left in oven can overcook.

Timed Baking

Set oven to cook for desired amount of time. Oven automatically stops heating after time elapses.


1. Place food in oven.
2. Press COOK TIME pad.
 - “OVEN”, “TIME”, and “HR” display.
3. Press ▲ or ▼ pad until cooking time is displayed.
 - Cook time can be set from 10 minutes up to 11 hours and 55 minutes.
 - If cook time is entered and temperature not entered “BAKE” and ---° flashes and signals.
4. Press BAKE pad.
 - “BAKE” and “---°” displays.
5. Press ▲ or ▼ pad until desired temperature is displayed.
 - Temperature begins at 350°F and can be set from 170°F to 550°F in 5° increments.
 - Temperature display increases in 5°F increments starting at 100°F until reaching set temperature. Some minor smoking is normal when using oven for first time. When cook temperature is reached oven signals.
 - To view cook time, press COOK TIME pad.
 - When cooking time has elapsed, an end of cycle signal sounds, oven automatically turns off and display returns to time of day. Oven signal sounds 3 times, then once every 6-8 seconds for 5 minutes or until OVEN CANCEL pad is pressed.
6. Press OVEN CANCEL pad when finished.
 - Remove food from oven when cooking time has elapsed. Food left in oven can overcook.

To Cancel Remaining Cooking Time

Press OVEN CANCEL pad.

Delayed Baking

Set oven to begin and end baking at later time. Range control automatically calculates starting time.

1. Place food in oven.
2. Press BAKE pad.
3. Press ▲ or ▼ pad until desired temperature is displayed.
 - Temperature begins at 350°F and can be set from 170°F to 550°F in 5° increments.
4. Press STOP TIME pad.
 - Current time of day appears in display.
5. Press ▲ or ▼ pad until desired stop time displays.
 - Stop time can be set 11 hours 55 minutes ahead of current time of day.
6. Press COOK TIME pad.
 - To view cook time later, press COOK TIME pad.
7. Press ▲ or ▼ pad until desired time cooking displays.
 - 10 minutes minimum cooking time.
 - Electronic range control calculates start time.
 - When start time is reached “DELAY” no longer displays and “” displays.
 - To view cook time, press COOK TIME pad.
 - To view stop time, press and hold STOP TIME pad.
 - When cooking time has elapsed, end of cycle signal sounds, oven automatically turns off and display returns to time of day. Oven signal sounds 3 times, then once every 6-8 seconds for 5 minutes or until OVEN CANCEL pad is pressed.

To Cancel Remaining Cooking Time

Press OVEN CANCEL pad.

Adjusting Oven Temperature

Oven temperature has been factory calibrated and tested. In unlikely event that oven consistently overcooks or undercooks food, make following adjustment.

1. Push BAKE pad.
2. Push ▲ or ▼ until an oven temperature greater than 500°F displays.
3. Immediately push and hold BAKE pad until “00” displays, approximately 5 seconds.
4. To decrease oven temperature (for a cooler oven), Push ▲ or ▼ until negative numbers appear. Oven can be adjusted from -05° to -35° lower. To avoid over adjusting oven move temperature -5° each time.
5. To increase oven temperature (for a warmer oven), Push ▲ or ▼ until positive numbers appear. Oven can be adjusted from 5° to 35° higher. To avoid over adjusting oven move temperature 5° each time.
6. Push OVEN CANCEL button. Temperature adjustment will be retained even through a power failure.

Broiling



WARNING

To avoid risk of fire, do not line the broiler grid with foil.

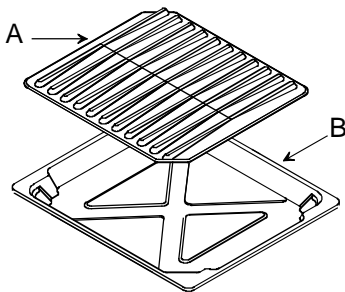
- Foil may trap grease on top of grid close to burner causing a fire.
- Never leave oven unattended while broiling. Overcooking may result in a fire.

Broiling Tips

- Remove excess fat from meat before broiling. Cut edges of meat to prevent curling.
- Place food on a cold ungreased broiling pan. If pan is hot, food sticks.
- All food except fish should be turned at least one time. Begin broiling with skin side down.
- Season meat after it has browned.
- Broiling does not require preheating.
- Begin cooking using suggested rack levels in *Broiling Guide* section to test broiler results. If food is not brown enough, cook on a higher rack position. If food is too brown, cook on a lower rack position.

Broiling

1. Center food on broiling grid and pan, and place in oven.
 - Oven door should be closed.
2. Press BROIL pad.
 - "BROIL" and "---" displays.
3. Press ▲ or ▼.
 - Oven begins to broil within 5 seconds. "BROIL", "ON" and "HI" display.



A—Broiler Grid
B—Broiler Pan

Broiler Pan and Grid

Broiler Flame

Allow no more than 40–60 seconds before burner ignites and flame is seen. If burner does not ignite turn temperature knob to *OFF* position. If burner repeatedly fails to ignite within 40–60 seconds contact an authorized servicer.

Radiant screen style broiler flame should appear hazy or fuzzy. Haze should be no more than $\frac{3}{8}$ inch thick. The radiant screen should begin to glow red or orange within 1–2 minutes.

Prepare for Self-clean and Delayed Self-clean Cycle



WARNING

To avoid risk of personal injury, do not touch oven vents or areas around vents during self-cleaning. These areas can become hot enough to cause burns.

To avoid risk of smoke damage or fire, clean excess spills from oven interior.




CAUTION

To avoid fire or smoke damage, remove any flammable materials from storage drawer. Items like plastic containers and paper manuals can melt or burn.

- A small amount of smoke is normal when cleaning. Excess smoke may indicate a faulty gasket or too much food residue has been left in oven. Move birds and small animals susceptible to fumes or smoke to another room.
- Oven should be cleaned before it gets too dirty. Wipe up large spills before self-cleaning.
- Do not use cleaning cycle if oven light cover is not properly in place.
- Remove oven racks and all cooking utensils from oven.
- Clean excess spills from oven interior.
- Remove items from rangetop and backguard. These areas can become hot during self-cleaning cycle.

Self-cleaning

Self-clean feature uses high oven temperature to clean oven interior.

1. Prepare oven for self-cleaning.
2. Press CLEAN pad.
 - “CLEAN”, “TIME”, and “— — — —” display.
3. Press ▲ or ▼ pad to adjust cleaning time.
 - “3:00” displays when ▲ or ▼ is pressed.
 - Increase or decrease cleaning time by 5 minute increments.
 - Clean can be set from 2 to 4 hours. Minimum recommended cleaning time is 3 hours.
 - Oven begins to clean at calculated time. “CLEAN”, “TIME” and “” lights. “LOCK” flashes in display when automatic door latch is locking.
4. Press OVEN CANCEL pad when finished.
 - When oven has cooled to a safe temperature, door latch opens and “LOCK” light flashes while opening. When oven has cooled enough to open door “LOCK” light no longer displays and door can be opened.

Interrupt Self-Clean Cycle

1. Press OVEN CANCEL pad.
2. When oven has cooled to a safe temperature, door will unlock and can be opened.

Delayed Self-clean Cycle

Self-clean feature uses high oven temperature to clean oven interior. Set oven to begin and end cleaning at later time using. Range control calculates back from end time to determine starting time.

1. Prepare oven for self-cleaning.
2. Press CLEAN pad.
 - “CLEAN”, “TIME”, and “— — — —” display.
3. Press ▲ or ▼ pad until desired amount of cleaning time is displayed.
 - “3:00” displays when ▲ or ▼ is pressed.
 - Increase or decrease cleaning time in 5 minute increments.
 - Clean can be set from 2 to 4 hours. Minimum recommended cleaning time is 3 hours.
4. Press STOP TIME pad.
5. Press ▲ or ▼ pad until desired stopping time appears in display.
 - Starting time is automatically calculated based on amount of cleaning time and stop time.
 - “DELAY”, “CLEAN”, “STOP”, “TIME”, “CLEAN”, and “LOCK” display. “LOCK” flashes in display when automatic door latch is locking.
 - To view remaining cleaning time, press and hold CLEAN pad.
 - To view calculated stop time, press and hold STOP TIME pad.

6. Press OVEN CANCEL pad when finished.
 - When oven has cooled to a safe temperature, door latch opens and “LOCK” light flashes. When oven has cooled enough to open door “LOCK” light no longer displays and door can be opened.

Interrupt Delayed Self-clean Cycle

1. Press OVEN CANCEL pad.
2. When oven has cooled to a safe temperature, door will unlock and can be opened.

Cooking Guide

Baking Guide

Follow these recommendations only as a guide for times and temperatures. Times, rack position, and temperatures may vary depending on conditions and food type. For best results, always check food at minimum time.

Food	Oven Temperature (°Fahrenheit)	Cooking Time (Minutes)
Angel Food Cake	350	28–50
Biscuits	350–375	8–16
Muffins	375–400	17–23
Cookies	325–350	7–18
Cupcakes	325–375	15–20
Brownies	325–350	25–35
Layer Cakes	325–350	20–30
Pound Cake	325	40–60
Fresh Pies	375–425	35–50
Nut Bread	350	45–55

Broiling Guide

Follow these recommendations only as a guide for times and temperatures. Times, rack position, and temperatures may vary depending on conditions and food type. For best results close oven door and always check food at minimum time.

Food	Thickness (Doneness)	Rack position (1=Highest 5=Lowest)	Cooking time (Minutes)
Beef Steak	1" (med.)	3	14–16
Beef Steak	1" (well)	3	23
Beef Steak	1½" (med.)	3	23–28
Beef Steak	1½" (well)	3	33
Beef ground	(¾"–1")	4	12–17
Fish Fillets and Steaks		4	15–20
Pork Chops or Steak	1"	3	15–16
Pork Chops or Steak	1½"	3	23–28
Bacon		4	12–17
Ham Slice (pre-cooked)	½"	3	20–25
Ham Slice (pre-cooked)	1"	3	25–30

Poultry Roasting Guide

Follow these recommendations only as a guide for times and temperatures. Times, rack position, and temperatures may vary depending on conditions and food type. For best results, always check food at minimum time.

Food	Oven temperature (°Fahrenheit)	Cooking time (Hours)
Whole Chicken (4 lbs to 5 lbs)	375	1½–1¾
Whole Chicken (Over 5 lbs)	375	1¾–2
Turkey (6 lbs to 8 lbs)	325	3½–4
Turkey (8 lbs to 12 lbs)	325	4–4½
Turkey (12 lbs to 16 lbs)	325	5½
Turkey (16 lbs to 20 lbs)	325	5½–7
Turkey (20 lbs to 22 lbs)	325	7–8½
Duck (3 lbs to 5 lbs)	325	1½–2

Beef and Pork Roasting Guide

Follow these recommendations only as a guide for times and temperatures. Times, rack position, and temperatures may vary depending on conditions and food type. For best results, always check food at minimum time.

Food	Oven Temperature (°Fahrenheit)	Cooking time (Minutes per pound)
Beef Roast (Rare)	325	20–25
Beef Roast (Medium)	325	26–30
Beef Roast (Well)	325	33–35
Rolled Roast (Rare)	325	32–36
Rolled Roast (Medium)	325	36–40
Rolled Roast (Well)	325	43–45
Fresh Whole Ham	325	22–28
Pork Loin	325	35–40
Pork Shoulder, Butt	325	40–45
Pork Picnic Shoulder	325	35–40
Mild Cured Ham Picnic, Shoulder	350	30–35

Care and Cleaning

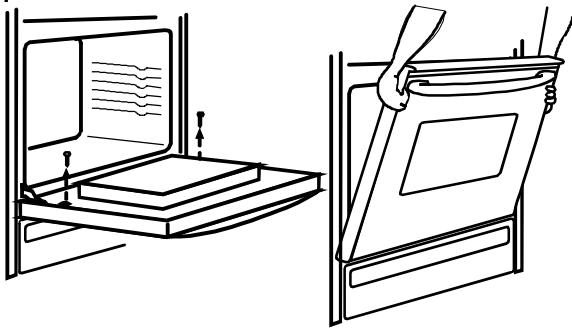
Removing Oven Door

CAUTION

To avoid personal injury or property damage, handle oven door with care.

- Door is heavy and can be damaged if dropped.
- Avoid placing hands in hinge area when door is removed. Hinge can snap closed and pinch hands.
- Do not scratch or chip glass, or twist door. Glass may break suddenly.
- Replace door glass if damaged.
- Do not lift door by handle.

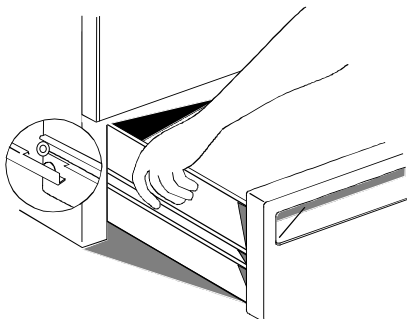
1. Open door fully.
2. Remove screws.
 - Oven doors are attached with a screw on each side of lower oven door.
3. Close door to first stop, grasp door firmly on each side, and lift upward until door is off hinges.
 - Do not lift door by handle. Glass can break.
 - Only push hinges closed once oven door is removed if necessary. Use both hands when closing hinge. Hinge snaps closed.



Removing Oven Door

Removing Storage Drawer

1. Slide drawer out until it stops.
2. Grasp drawer sides near back of drawer.
3. Lift up and out.
 - Reverse to reinstall.



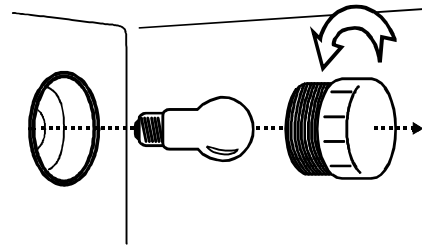
Removing Storage Drawer

Replacing Oven Light

WARNING

To avoid risk of burns or electrical shock, disconnect electrical supply to oven before changing light bulb.

- Before replacing light bulb make sure bulb is cool.
 - Wear protective gloves.
 - Do not operate oven without bulb and cover in place.
1. Disconnect electrical supply.
 2. Remove oven door if desired.
 3. Unscrew light bulb cover located in rear of oven cavity. Then turn light bulb counterclockwise to remove.
 4. Replace light bulb with 120-volt, 40-watt appliance bulb.
 - Do not overtighten bulb or it may be difficult to remove later.
 5. Replace light bulb cover and oven door before use.
 6. Reconnect power supply.



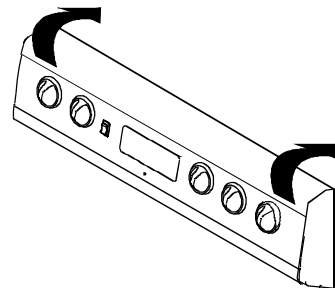
Replacing Oven Light

Replacing Panel Light Bulb (ARG7800)

1. Lift up on front edge of backguard top trim. Flip top trim towards rear of backguard.
2. Twist fluorescent bulb to remove it from sockets.

CAUTION

Wear gloves to protect hands from accidental bulb breakage.



Removing Panel Light Bulb

Cleaning

Part	Materials to Use	General Directions
Burner caps and grates	Soap and water	Cool before cleaning. Frequent cleaning with soap and water, and non-abrasive pad prolongs time between deep cleanings. Be sure to dry thoroughly.
Hard to clean burner caps and grates	½ Cup ammonia	Place burner caps and grates in plastic bag with ½ cup ammonia. Do not pour ammonia into bag. Ammonia must remain in cup. To avoid rust, do not soak grates in ammonia. Close bag tightly and leave grate and caps overnight. Before bag is opened turn face away to avoid breathing or eye contact with fumes. Remove burner caps and grates from bag and rinse. Clean according to instructions above.
Burner base	Soap and a non-abrasive plastic scouring pad, cloth, toothbrush or straight pin	Cool before cleaning. Clean burner base with warm soapy water and a clean cloth. If ports in burner base are clogged, clean with toothbrush or straight pin. Do not use toothpick. After cleaning replace burner caps and turn on burners to check for proper operation. See <i>Operating Surface Burners</i> section for burner operating instructions.
Broiler Pan and Grid	Soap and a non-abrasive plastic scouring pad	Drain fat, cool pan and grid slightly. (Do not let soiled pan and grid stand in oven to cool.) Sprinkle with soap. Fill the pan with warm water. Let pan and grid stand for a few minutes. Wash or scour if necessary. Rinse and dry. The broiler pan and grid may also be cleaned in the dishwasher.
Control knobs	Mild soap and water	Pull off knobs. Wash gently but do not soak. Dry and return controls to oven, making sure to match flat area on the knob to the flat area on shaft.
Inside oven door	Soap and water	Clean the outside of the door and the window area with warm soapy water. Do not clean the oven door gasket. Gasket should not be moved while cleaning. Avoid getting any cleaning materials on gasket.
Outside finish and backguard	Soap and water	Wash with cloth dampened in soapy water. Rinse and polish with a dry cloth. If knobs are removed, do not allow water to run down inside surface while cleaning.
Oven interior surfaces	Soap and water	Cool before cleaning. Frequent wiping with mild soap and water prolongs time between self-cleanings. Be sure to rinse thoroughly.
Oven racks and storage drawer	Soap and water	For heavy soil, clean by hand and rinse thoroughly. Remove the drawer and racks for ease in cleaning. Be sure drawer is dry before replacing.

Before Calling for Service

Problem	Check
Surface burner does not ignite.	<p>Burner should ignite within 4 seconds. If burner does not ignite within 4 seconds turn control knob to <i>OFF</i> position and follow directions in "Placing Grates and Burner Caps".</p> <p>If burner cap is properly placed. See "Operating Surface Burner during a Power Failure" to check gas supply to burner. If burner ignites, verify range is plugged in, circuit breaker is not tripped, or fuse is not blown.</p> <p>If burner still does not ignite in 4 seconds, contact an authorized servicer.</p>
Pans rock on surface burner grates.	<p>See "Utensils" section to check pan for flat bottom.</p> <p>Surface burner grates are designed with 3 tines higher than the others so pans rest on the grates at 3 points. Like a tripod, this 3-point design keeps flat pans from rocking. If the pan is not centered on grate or is empty, it may rock slightly. The handle weight of an empty pan can cause the pan to rock because the weight is on the outside edge. When pans have food in them, they should not rock unless the pan is positioned off center.</p>
Oven light does not work.	<p>Check for loose bulb. Check for burned out bulb; replace with 40-watt appliance bulb.</p>
Oven does not heat.	<p>Confirm range is plugged in. If both oven and surface burners ignite, check circuit breaker. Check control for proper setting.</p>
Oven door will not open.	<p>Wait for oven to cool. Door latch will release automatically after oven cools. Do not force lock lever.</p>
Oven temperature is not accurate.	<p>Store purchased oven thermometers do not measure oven temperature accurately. An accurate digital thermometer is necessary to calibrate oven.</p> <p>Check for blocked heat vents.</p> <p>Aluminum foil alters oven temperature.</p> <p>Change oven temperature through oven control.</p>
Oven cycles on and off.	<p>This condition is normal when baking or roasting. To maintain a temperature for baking, oven cycles on and off. The temperature may vary up to 25°F higher or lower than the oven temperature set on the control.</p>
The oven smokes the first few times it is turned on.	<p>Minor smoking is normal first few times oven is used.</p>
Odor or smoke while self-cleaning the oven.	<p>There may be some smoke and odor during the first few cleaning cycles. If there is excessive smoke or odor, too much soil remains in the bottom of the oven. If the oven smokes excessively, turn off the oven, wait for the oven to cool and wipe away the excess soil. Reset the clean cycle.</p>
Range top is warm during use.	<p>Normal condition.</p>
Food cooks slowly or will not maintain constant boil.	<p>Improper cookware causes poor cooking results. Pans should be made of heavy material and be same diameter as surface element. See "Cooking Utensils" section.</p>

Warranty

Amana® COOKING PRODUCTS (excluding wall ovens)

FULL ONE YEAR WARRANTY LIMITED SECOND YEAR WARRANTY ON ALL PARTS LIMITED THIRD THRU FIFTH YEAR WARRANTY ON GLASS/CERAMIC TOP, ELECTRIC SURFACE ELEMENTS, OR GAS SURFACE BURNERS

FIRST YEAR

Amana Appliances will repair or replace, including related labor and travel, any part (f.o.b. Amana, Iowa) which proves to be defective as to workmanship or materials.

SECOND YEAR

Amana Appliances will provide replacement part, part only (f.o.b. Amana, Iowa), which proves defective as to workmanship or materials.

THIRD THRU FIFTH YEAR

Amana Appliances will provide replacement glass/ceramic cooktop, part only (f.o.b. Amana, Iowa), which proves defective as to workmanship or materials.

THIRD THRU FIFTH YEAR

Amana Appliances will provide replacement electric surface elements or gas surface burners, part only (f.o.b. Amana, Iowa), which proves defective as to workmanship or materials.

OWNER'S RESPONSIBILITIES:

- Provide any defective part to an authorized Amana servicer.
- Provide proof of purchase.
- Provide normal care and maintenance, including cleaning as instructed in owner's manual.
- Replace owner replaceable items where directions appear in the owner's manual.
- Make product accessible for service.
- Pay for premium service costs for service outside servicer's normal business hours.
- Pay for service calls related to product installation and customer education.
- Pay for servicer's labor and travel expenses under limited warranty provisions.

ITEMS NOT COVERED:

- Normal product maintenance and cleaning.
- Light bulbs.
- Damages which occur in shipment.
- General rebuilding or refurbishing that is not a legitimate warranty repair.
- Failures caused by:
 - Unauthorized service.
 - Grease or other material buildup due to improper cleaning or maintenance.
 - Accidental or intentional damage.
 - Connection to an improper gas or power supply.
 - Acts of God.
 - Use of improper pans, containers, or accessories that cause damage to the product.

WARRANTY LIMITATIONS:

- Begins at date of original purchase.
- Product used on a commercial, rental, or leased basis are not covered by this warranty.
- Applies to product used within the United States or in Canada if product has appropriate agency listing when shipped from the factory.
- Service must be performed by an authorized Amana servicer.
- Adjustments covered during first year only.

WARRANTY IS VOID IF:

- Serial plate is defaced.
- Product is altered by user.
- Product is not installed or used according to manufacturer's instructions.

IN NO EVENT SHALL AMANA APPLIANCES BE LIABLE FOR INCIDENTAL OR CONSEQUENTIAL DAMAGES*

*This warranty gives you specific legal rights and you may have others which vary from state to state. For example, some states do not allow the exclusion or limitation of incidental or consequential damages so this exclusion may not apply to you.

For answers to questions regarding the above or to locate an authorized Amana® servicer, contact:

Amana Appliances
2800 220th Trail
PO Box 8901
Amana, Iowa 52204-0001
USA
1-800-843-0304 inside U.S.A.
1-319-622-5511 outside U.S.A.

Quick Reference Instructions

Read *Important Safety Instructions* before using *Quick Reference Instructions*. If there are unanswered questions, see detailed sections of this manual.

Setting Clock

1. Press CLOCK pad.
2. Press ▲ or ▼ pad until correct time of day displays.
3. Press OVEN CANCEL pad to set time.

Setting Minute Timer

1. Press TIMER ON/OFF pad.
2. Press ▲ or ▼ pad until desired amount of time is displayed.
3. When time elapses timer beeps 3 times then approximately once every 6-8 seconds.

Canceling Minute Timer

Press and hold the TIMER ON/OFF pad for approximately 3 seconds.

- When canceling minute timer do not press OVEN CANCEL pad. Pressing OVEN CANCEL pad cancels cooking function.

Baking

1. Press BAKE pad.
2. Press ▲ or ▼ pad until desired temperature is displayed.
3. Press OVEN CANCEL pad when finished.

Timed Baking

1. Place food in oven.
2. Press COOK TIME pad.
3. Press ▲ or ▼ pad until cooking time is displayed.
4. Press BAKE pad.
5. Press ▲ or ▼ pad until desired temperature is displayed.
6. Press OVEN CANCEL pad when finished.

To Cancel Remaining Cooking Time

Press OVEN CANCEL pad.

Delayed Baking

1. Place food in oven.
2. Press BAKE pad.
3. Press ▲ or ▼ pad until desired temperature is displayed.
4. Press STOP TIME pad.
5. Press ▲ or ▼ pad until desired stop time displays.
6. Press COOK TIME pad.
7. Press ▲ or ▼ pad until desired time cooking displays.

To Cancel Remaining Cooking Time

Press OVEN CANCEL pad.

Adjusting Oven Temperature

1. Push BAKE pad.
2. Push ▲ or ▼ until an oven temperature greater than 500°F displays.
3. Immediately push and hold BAKE pad until "00" displays, approximately 5 seconds.
4. To decrease oven temperature (for a cooler oven), Push ▲ or ▼ until negative numbers appear. Oven can be adjusted from -05° to -35° lower. To avoid over adjusting oven move temperature -5° each time.
5. To increase oven temperature (for a warmer oven), Push ▲ or ▼ until positive numbers appear. Oven can be adjusted from 5° to 35° higher. To avoid over adjusting oven move temperature 5° each time.
6. Push OVEN CANCEL button. Temperature adjustment will be retained even through a power failure.

Broiling

1. Center food on broiling grid and pan, and place in oven.
2. Press BROIL pad.
3. Press ▲ or ▼.

Self-cleaning

1. Prepare oven for self-cleaning.
2. Press CLEAN pad.
3. Press ▲ or ▼ pad to adjust cleaning time.
4. Press OVEN CANCEL pad when finished.

Interrupt Self-Clean Cycle

1. Press OVEN CANCEL pad.
2. When oven has cooled to a safe temperature, door will unlock and can be opened.

Delayed Self-clean Cycle

1. Prepare oven for self-cleaning.
2. Press CLEAN pad.
3. Press ▲ or ▼ pad until desired amount of cleaning time is displayed.
4. Press STOP TIME pad.
5. Press ▲ or ▼ pad until desired stopping time appears in display.
6. Press OVEN CANCEL pad when finished.

Interrupt Delayed Self-clean Cycle

1. Press OVEN CANCEL pad.
2. When oven has cooled to a safe temperature, door will unlock and can be opened.

Table des matières

Identification du modèle	30
Pièces et accessoires	30
Service après-vente	30
Renseignements de sécurité importants	32
TOUS APPAREILS	32
FOUR AUTONETTOYANT	32
FOUR	32
BRÛLEURS	32
Allumage retardé	32
HOTTE	33
En cas d'incendie	33
Précautions	33
Mise en service	34
Matériaux d'emballage	34
Emplacement de la cuisinière	34
Ouverture dans le comptoir	34
Espaces de dégagement minimum par rapport aux surfaces inflammables	34
Conditions spéciales concernant le dessus du comptoir	35
Alimentation en électricité	35
Dégagement pour la prise	35
Alimentation en gaz	36
Emplacement du raccordement au gaz	36
Pression de l'alimentation en gaz	36
Emplacement du détendeur	36
Soupape d'arrêt du four	37
Conversion au gaz naturel ou au gaz propane	37
Raccordement au gaz	40
Vérification des fuites de gaz	41
Obstruction des ouvertures	41
Pose de la patte de stabilisation	41
Mise en place de la cuisinière	42
Retrait et remise en place de la cuisinière	42
Placement des grilles et des couvre-brûleurs	42
Réglage de la flamme des brûleurs	42
Réglage de la flamme du four	43
Flamme du gril	44
Réglage de l'horloge	44
Fonctionnement	45
Utilisation des brûleurs de la surface de cuisson	45
Utilisation des brûleurs de la surface de cuisson en cas de panne de secteur	45
Plats de cuisson	45
Commandes et interrupteurs du four électronique	47
Réglage de l'horloge	49
Réglage de la minuterie	49
Préparation à la cuisson	50
La cuisson au four conventionnel	50
Cuisson minutée au four conventionnel	51
Cuisson retardée au four conventionnel	51
Cuisson sur le gril	51

Préparation pour l'autonettoyage et l'autonettoyage retardé	52
Autonettoyage	53
Autonettoyage retardé	53
Guide de cuisson	54
Guide de cuisson ordinaire	54
Guide de cuisson sur le gril	54
Guide de cuisson de la volaille	55
Guide de cuisson du boeuf et du porc	55
Nettoyage et entretien	56
Retrait de la porte du four	56
Retrait du tiroir de rangement	56
Remplacement de l'ampoule du four	56
Remplacement de Lumière du tableau (ARG7800) ..	56
Nettoyage	57
Avant d'appeler le service de dépannage	58
Garantie	59
Instructions de référence rapide	60

Identification du modèle

Remplir la carte d'enregistrement jointe et la retourner dans les plus brefs délais. Au cas où cette carte manquerait, appeler le service à la clientèle (Consumer Affairs Department) au 1-800-843-0304 pour les États-Unis ou au 1-319-622-5511 en dehors des États-Unis. Lors de tout contact avec Amana, fournir les renseignements sur l'appareil, indiqués sur la plaque signalétique qui se trouve sur le bâti du four. Noter les renseignements ci-dessous:

Numéro du modèle : _____

Numéro de fabrication : _____

Numéro de série : _____

Date d'achat : _____

Nom et adresse du détaillant : _____

Pièces et accessoires

Des pièces de rechange et accessoires supplémentaires (ex., clayettes de réfrigérateur, égouttoirs ou modules de plaque de cuisson) peuvent être commandés par téléphone. Pour obtenir un accessoire Amana, appeler le 1-800-843-0304 depuis les États-Unis et le 1-319-622-5511 de l'étranger.

Service après-vente

Garder une copie de la facture pour référence ultérieure ou en cas d'utilisation de la garantie. Pour toutes questions ou pour localiser un réparateur agréé, appeler le 1-800-NAT-LSVC (1-800-628-5782) pour les États-Unis ou le 1-319-622-5511 hors des États-Unis. Toute prestation de garantie doit être effectuée par un réparateur agréé. Amana recommande également de contacter un réparateur agréé même lorsque la garantie vient à expiration.

Renseignements de sécurité importants



MISE EN GARDE

Afin d'éviter que la cuisinière ne bascule, celle-ci doit être bloquée à l'aide d'une ou plusieurs pattes de stabilisation. Pour s'assurer que celles-ci sont correctement en place, retirer le tiroir de rangement et regarder sous la cuisinière à l'aide d'une lampe électrique. La ou les pattes doivent être engagées dans le coin arrière de la cuisinière.



- TOUTES LES CUISINIÈRES PEUVENT BASCULER
- CELA PEUT PROVOQUER DES BLESSURES
- INSTALLER LA OU LES PATTES DE STABILISATION FOURNIES AVEC LA CUISINIÈRE
- VOIR LA NOTICE D'INSTALLATION



MISE EN GARDE

Afin d'éviter toute blessure, ne jamais s'asseoir, se tenir debout ni s'appuyer sur la porte du four ni le tiroir de rangement.



MISE EN GARDE

Pour éviter tout risque d'électrocution, de blessure, voire de décès, veiller à ce que la cuisinière soit correctement mise à la terre et toujours la débrancher du secteur électrique au niveau du compteur avant tout dépannage.



MISE EN GARDE

Afin d'éviter décès, blessures ou dégâts matériels, suivre attentivement les instructions contenues dans ce manuel.

Ne pas entreposer ni utiliser d'essence ni d'autres liquides ou gaz inflammables à proximité de cet appareil ou de tout autre appareil électro-ménager.

QUE FAIRE SI ON SENT UNE ODEUR DE GAZ

- Ne pas allumer d'appareil.
- Ne pas actionner d'interrupteur électrique; ne pas utiliser de téléphone dans votre bâtiment.
- Appeler immédiatement votre fournisseur de gaz en lui téléphonant de chez un voisin. Suivre ses instructions.
- S'il n'est pas possible de joindre le fournisseur de gaz, appeler les pompiers.

La mise en service et les réparations doivent toujours être effectuées par un installateur ou un service de dépannage agréés ou encore un fournisseur de gaz.



ATTENTION

Ne pas bloquer les conduits d'air nécessaires à l'aération et à la combustion.



ATTENTION

Cet appareil contient ou produit une ou plusieurs substances chimiques qui peuvent provoquer le décès ou des maladies graves, ou qui sont reconnues dans l'état de Californie comme pouvant provoquer le cancer, des malformations congénitales ou d'autres maladies de l'appareil reproducteur. Afin de réduire les risques présentés par les substances présentes dans le gaz ou les produits de combustion, veiller à ce que cet appareil soit mis en service, utilisé et entretenu suivant les indications de ce manuel.

Renseignements de sécurité importants

TOUS APPAREILS

1. Mise en service correcte : veiller à ce que l'appareil soit correctement mis en service et relié à la terre par un technicien qualifié.
2. Ne jamais utiliser l'appareil comme appareil de chauffage.
3. Ne pas laisser les enfants seuls : ne pas laisser les enfants seuls ou sans surveillance dans une pièce où l'appareil est en service. Ne jamais leur permettre de s'asseoir ni de se tenir debout sur quelque partie de l'appareil que ce soit.
4. Porter des vêtements protecteurs : ne jamais porter de vêtements amples ou à manches pendantes lors de l'utilisation de l'appareil.
5. Réparations par l'utilisateur : ne pas réparer ni changer de pièces autres que celles indiquées spécifiquement dans ce manuel. Toute autre réparation doit être effectuée par un technicien qualifié.
6. Rangement sur l'appareil ou dans le four : ne jamais ranger de produits inflammables dans le four ni à proximité des brûleurs.
7. Ne pas utiliser d'eau pour éteindre des corps gras en combustion. Éteindre l'incendie ou les flammes ou utiliser un extincteur à poudre chimique ou à mousse.
8. Utiliser des poignées sèches uniquement : une poignée humide ou mouillée peut provoquer des brûlures par la vapeur. Ne pas permettre le contact de la poignée avec les brûleurs. Ne pas utiliser de serviette ni de linge épais.

FOUR AUTONETTOYANT

1. Ne pas nettoyer le joint de la porte : ce joint est essentiel pour que le four soit hermétique. Veiller à ne pas le frotter, ni l'abîmer, ni le déloger.
2. Ne pas utiliser de produit nettoyant pour four : ne pas utiliser de produit nettoyant pour four ni de produit protecteur de quelque sorte que ce soit à l'intérieur ni à proximité du revêtement intérieur du four.
3. Nettoyer uniquement les composants indiqués dans le manuel. Voir la section *Entretien et nettoyage*.
4. Avant de mettre le four en cycle autonettoyant : enlever la lèchefrite, les grilles et tout autre récipient.
5. Enlever tout article du dessus de la cuisinière et du dossier.

FOUR

1. Ouvrir la porte avec prudence : Laisser la vapeur ou l'air chaud s'échapper avant de retirer ou de remettre des plats.
2. Ne pas faire chauffer de récipients fermés : l'accumulation de pression peut provoquer l'explosion des récipients et causer des brûlures.

3. Ne pas obstruer les conduits d'aération.
4. Placement des grilles : toujours mettre les grilles en place à la hauteur voulue lorsque le four est froid. Si la grille est enlevée lorsque le four est chaud, ne pas permettre le contact des poignées protectrices avec les brûleurs.

BRÛLEURS

1. Utiliser des casseroles de dimensions appropriées : cet appareil comporte un ou plusieurs brûleurs de différentes dimensions. Sélectionner des récipients à fond plat assez grands pour que la flamme ne dépasse pas. Un récipient trop petit expose directement une rubrique de la flamme et risque de faire enflammer les vêtements. Par ailleurs, un récipient de dimensions appropriées utilise moins de gaz pour de meilleurs résultats.
2. Ne jamais laisser les brûleurs sans surveillance lorsqu'ils sont sur un réglage élevé. Le liquide qui déborde peut produire de la fumée ou s'enflammer.
3. Revêtement de protection : ne pas utiliser de papier aluminium pour recouvrir le fond du four, sauf de la façon conseillée dans les manuels. L'installation inadéquate de ces garnitures peut occasionner un risque de choc électrique ou d'incendie.
4. Articles vernissés : seuls certains types de verre, de céramique, de grès ou autres récipients vernissés conviennent à la cuisson sur les brûleurs sans risque d'éclater en raison de changements brusques de température.
5. Toujours tourner les poignées vers l'intérieur et ne pas les placer de façon à ce qu'elles soient au-dessus d'autres brûleurs: pour éviter de se brûler, de mettre feu à des substances inflammables ou de renverser le contenu de récipients suite à un contact accidentel, les poignées doivent être tournées à l'intérieur et ne pas être placées au-dessus d'autres brûleurs.

Allumage retardé

Brûleurs

Le brûleur doit s'allumer dans un délai de 4 secondes. Si le brûleur ne s'allume pas dans un délai de 4 secondes, tourner le bouton de commande à la position « OFF » (arrêt) et suivre les directives des rubriques « Placement des grilles et des couvre-brûleurs » et « Avant d'appeler le service de dépannage ». Essayer d'allumer le brûleur. Si le brûleur ne s'allume toujours pas, appeler un prestataire de service après-vente agréé.

Flamme du brûleur de cuisson

Ne pas attendre plus de 40-60 secondes avant que le brûleur s'allume et que la chaleur soit ressentie. Pour vérifier la présence de chaleur, ouvrir la porte du four au premier butoir et placer la main au-dessus de la porte du four. Si aucune chaleur n'est ressentie, tourner le bouton du thermostat à la position « OFF ». Si le brûleur ne s'allume pas après plusieurs essais, appeler un prestataire de service après-vente agréé.

Flamme du grill

Ne pas attendre plus de 40-60 secondes avant que le brûleur s'allume et qu'une flamme apparaisse. Si le brûleur ne s'allume pas, tourner le bouton du thermostat à la position « OFF ». Si le brûleur ne s'allume pas dans un délai de 40-60 secondes après plusieurs essais, appeler un prestataire de service après-vente agréé.

La flamme de type écran de rayonnement doit toujours être floue. La partie mal définie de la flamme ne doit pas dépasser $\frac{3}{8}$ pouce (0,95 cm) d'épaisseur. L'écran de rayonnement doit rougeoier dans les 1 ou 2 minutes qui suivent.

HOTTE

1. Nettoyer fréquemment la hotte : ne pas laisser de graisse s'accumuler sur la hotte ni sur le filtre.
2. Avant de faire flamber de la nourriture sous la hotte, éteindre le ventilateur. S'il fonctionne, il pourrait propager la flamme.

En cas d'incendie

Des incendies peuvent se produire suite à une cuisson excessive ou en raison d'un excès de graisse. Bien qu'un incendie soit peu probable, procéder comme suit s'il se produit :

Incendie au niveau d'un brûleur

1. Éteindre la flamme à l'aide d'un couvercle ne pouvant pas s'enflammer ou de bicarbonate de soude, ou encore utiliser un extincteur de type ABC ou BC. Ne pas utiliser d'eau, ni de sel, ni de farine.
2. Dès que cela peut être fait sans danger, tourner le bouton correspondant au brûleur sur « OFF ».
 - Pour plus de sécurité, couper l'alimentation en gaz, ainsi que celle en électricité au niveau du compteur ou du fusible.

Incendie dans le four

1. En cas de présence de fumée provenant du four, ne pas ouvrir la porte du four.
2. Éteindre le four (bouton sur OFF).
3. Pour plus de sécurité, couper l'alimentation en gaz, ainsi que celle en électricité au niveau du compteur ou du fusible.
4. Mettre le ventilateur de la hotte en marche pour éliminer la fumée.

5. Laisser la nourriture ou la graisse finir de brûler dans le four.
6. Si la fumée et l'incendie persistent, appeler les pompiers.
7. En cas de dégâts au niveau des composants, appeler le service de dépannage avant d'utiliser la cuisinière.

Précautions

- Ne pas cuire de la nourriture sans récipient, directement sur le dessus de la cuisinière.
- Ne pas mélanger les produits d'entretien ménager. Leur interaction peut avoir des résultats nocifs, voire dangereux.
- Ne pas mettre d'articles en plastique sur des surfaces de cuisson encore chaudes. Ils pourraient coller et fondre.
- Ne pas faire glisser des objets métalliques présentant des aspérités sur le dessus de la cuisinière. Ils pourraient le rayer ou laisser des traces métalliques.
- Ne pas nettoyer le dessus de la cuisinière avec une éponge ou une lavette humide lorsque cette surface est chaude. La vapeur se dégageant de l'éponge ou de la lavette peut brûler.
- Ne pas faire chauffer de graisse sans rester à proximité. La graisse excessivement chaude peut s'enflammer en débordant sur des surfaces brûlantes.
- Ne pas laisser une casserole bouillir jusqu'à ce qu'il ne reste plus de liquide car elle risque de se trouver abîmée, ainsi que la surface de cuisson.
- Ne pas utiliser le dessus de la cuisinière comme une planche à découper.

Mise en service

Matériaux d'emballage

Enlever les matériaux d'emballage protecteurs de la cuisinière. S'il reste des résidus de papier collant, les nettoyer avec un linge doux propre imbibé d'alcool.

Emplacement de la cuisinière

Choisir un emplacement en tenant compte des facteurs suivants :

- Les courants d'air dûs au chauffage, à la climatisation ou à des portes et fenêtres ouvertes peuvent provoquer des problèmes au niveau de la ventilation de la cuisinière. Ne pas placer celle-ci à proximité de fenêtres ni de portes.
- Veiller à ce qu'il y ait suffisamment d'espace pour permettre une mise en place correcte de la cuisinière.
- Lire attentivement les instructions avant de commencer la mise en place de la cuisinière.

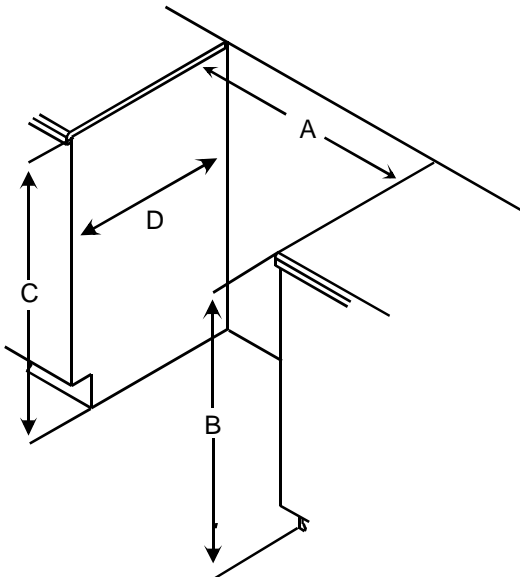
Ouverture dans le comptoir



MISE EN GARDE

Pour éviter les risques de brûlure ou d'incendie en se penchant au-dessus des brûleurs, éviter de placer une armoire au-dessus de la cuisinière.

La cuisinière doit être encastrée dans le comptoir de façon à ce que la poignée de la porte du four dépasse d'environ 2 pouces (5,1 cm). Préparer l'ouverture dans le comptoir en utilisant les dimensions indiquées ci-dessous et dans la rubrique *Conditions spéciales concernant le dessus du comptoir*.

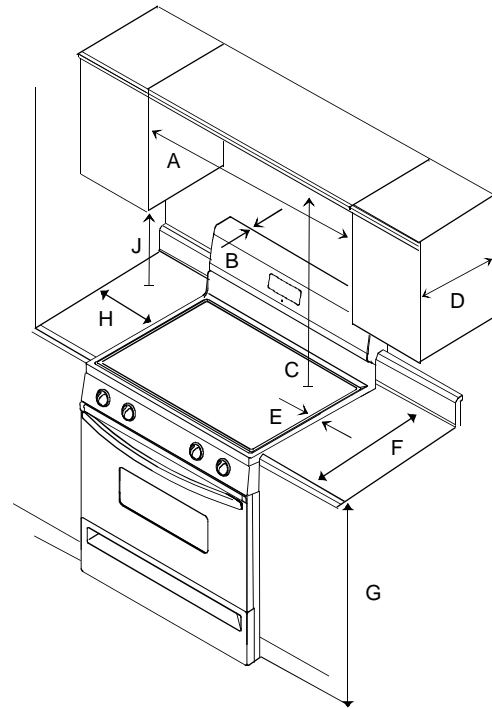


- A— $30 \frac{1}{8}$ à $30 \frac{1}{4}$ po
- B—36 po standard
- C—35 po standard
- D—23 po standard

Hauteur standard de l'armoire et du comptoir

Espaces de dégagement minimum par rapport aux surfaces inflammables

- Espace de dégagement minimum nul (0 pouce) par rapport à la paroi arrière.
- Espace de dégagement minimum de 3 pouces (7,6 cm) par rapport aux parois verticales droite ou gauche qui se trouvent au-dessus de la surface de cuisson.
- Espace de dégagement minimum nul (0 pouce) de chaque côté par rapport au comptoir et à l'armoire.
- Minimum de 30 pouces (76,2 cm) entre le dessus de la surface de cuisson et le fond d'une armoire en bois ou en métal sans protection contre les incendies.
- 24 pouces (61 cm) entre la surface de cuisson et une armoire en bois ou en métal présentant une protection contre les incendies placée au-dessus de la cuisinière. Le fond de l'armoire doit être protégé par du carton ignifuge d'un minimum de $\frac{1}{4}$ po (0,63 cm) d'épaisseur couvert, au minimum, de tôle d'acier n° 28 MSG, d'acier inoxydable de 0,015 po (0,038 cm) d'épaisseur, d'aluminium de 0,024 po (0,061 cm) d'épaisseur ou de cuivre de 0,020 po (0,051 cm) d'épaisseur.



- A—30 pouces (76,2 cm) minimum
- B—0 pouce
- C—30 pouces (76,2 cm) minimum sans protection/24 pouces (61 cm) avec protection
- D—13 pouces (33 cm)
- E—0 pouce
- F—25 pouces (63,5 cm) maximum
- G—36 pouces (91,4 cm) maximum
- H—3 pouces (7,6 cm) (de chaque côté de la cuisinière)
- J—18 pouces (45,7 cm) minimum

Espaces de dégagement minimum par rapport aux surfaces inflammables

Conditions spéciales concernant le dessus du comptoir

Certains comptoirs, en particulier ceux dont le dessus est en carreaux de céramique, sont légèrement surélevés et font alors plus de 36 pouces (91,4 cm) de haut. Suivre les indications ci-dessous si le comptoir est d'une hauteur supérieure à 36 pouces (91,4 cm).

1. Monter les pieds réglables à la hauteur maximum.
2. Mesurer du plancher jusqu'à la garniture latérale. Si cette dimension est inférieure à la hauteur du comptoir, il faut surélever le plancher.
3. Pour surélever le plancher, utiliser un morceau de contreplaqué aux dimensions de l'ouverture pratiquée dans l'armoire pour la cuisinière. Fixer le contreplaqué au plancher de façon à ce qu'il soit aussi stable que le plancher d'origine.
4. Poser la ou les pattes de stabilisation et pousser la cuisinière dans l'ouverture.

Alimentation en électricité



MISE EN GARDE

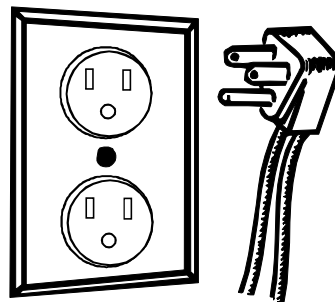
Pour éviter tout risque d'électrocution ou de dégâts matériels, ne pas couper ni enlever la troisième broche (terre) de la fiche. Un câble trifilaire relié à la terre doit être utilisé. Ne pas raccorder la cuisinière à la terre en la reliant au flexible de raccordement, à la tubulure ni à aucun autre élément de l'alimentation en gaz car cela pourrait provoquer un incendie, l'électrocution et/ou le fonctionnement inégal de la cuisinière.

La cuisinière doit être reliée à la terre conformément aux codes locaux ou, à défaut, au « National Electrical Code » ANSI/NFPA n° 70, dernière édition.

Au Canada, les branchements doivent être conformes au Code canadien de l'électricité CSA C22.1. Tous les branchements doivent être conformes aux normes CSA Z240.6.1 pour les maisons mobiles.

Utiliser une prise murale dédiée à trois trous de 120 V et 60 Hz protégée par un disjoncteur ou un fusible à fusion temporisé 15 A. Un électricien qualifié devrait confirmer que la prise est correctement reliée à la terre.

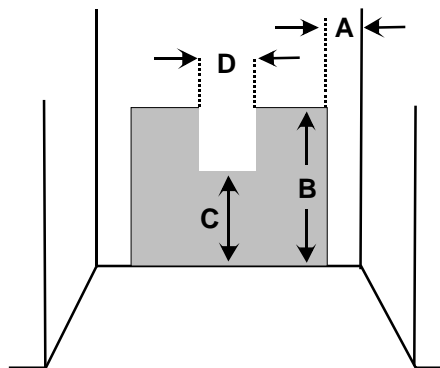
Si la prise est à deux trous, le propriétaire de la cuisinière doit la remplacer avant d'utiliser la cuisinière. Ne pas couper le cordon, ni utiliser un adaptateur sur la fiche ou une rallonge, ni enlever la fiche avec mise à la terre.



Prise murale dédiée à trois trous

Dégagement pour la prise

La prise doit se trouver dans la zone indiquée ci-dessous. Le raccordement à l'électricité ne doit pas faire obstacle avec le raccordement au gaz.



- A—2 pouces (5,1 cm) (de chaque côté)
- B—19 ½ pouces (49,5 cm)
- C—12 pouces (30,5 cm)
- D—6 pouces (15,2 cm)

Dégagement pour la prise

Alimentation en gaz

Avant de raccorder cet appareil au gaz, s'assurer que l'installation est conforme aux codes locaux ou, à défaut, au National Fuel Gas Code ANSI Z223.1, dernière édition.

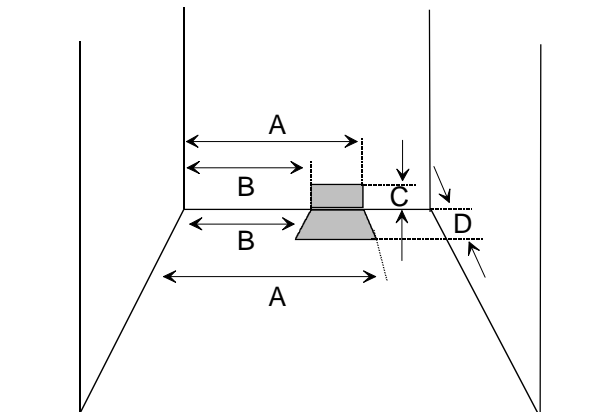
Lorsque l'installation est effectuée dans une maison mobile, elle doit être conforme aux normes CSA Z241.1 pour les maisons mobiles équipées de l'alimentation en gaz.

L'installation d'appareils électroménagers conçus pour les maisons (mobiles) pré-fabriquées doit être conforme aux Normes de sécurité et de construction des maisons pré-fabriquées, article 24 CFR, paragraphe 3280, ou, lorsque cette norme ne s'applique pas, aux Normes d'installation des maisons pré-fabriquées, ANSI225.1/NFPA 501A (dernière édition), ou aux codes locaux ou aux normes CAN/CSA-z240MH, « Maisons mobiles », et aux codes locaux si applicable.

L'installation d'appareils doit être effectuée conformément au Code des installations d'appareils ou d'équipement fonctionnant au gaz CAN1-B149.1 ou B149.2, et/ou aux codes locaux. Chapitre 1 et/ou codes locaux.

Emplacement du raccordement au gaz

Le raccordement au gaz doit se faire dans la zone indiquée. Le raccordement au gaz ne doit pas faire obstacle ni causer de problèmes avec le raccordement à l'électricité.



- A—26 pouces (66 cm)
- B—20 pouces (50,8 cm)
- C—2 ¼ pouces (5,7 cm)
- D—4 pouces (10,2 cm)

Emplacement du raccordement au gaz

Pression de l'alimentation en gaz



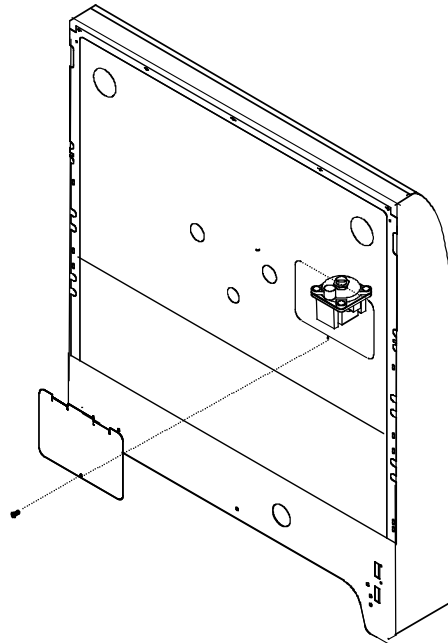
ATTENTION

Pour éviter tous dégâts matériels, la pression de l'alimentation en gaz ne doit pas être supérieure à 14 pouces (35,6 cm) de colonne d'eau.

- La cuisinière et le robinet d'arrêt individuel doivent être désolidarisés de l'alimentation en gaz pendant tout test de pression à une pression supérieure à ½ lb/po² (3,5 kPa) (14 pouces (35,6 cm) de colonne d'eau).
- La cuisinière doit être coupée de l'alimentation en gaz en fermant le robinet d'arrêt pendant tout test de pression à une pression égale ou inférieure à ½ lb/po² (3,5 kPa) (14 pouces (35,6 cm) de colonne d'eau).
- La pression de gaz utilisée pour vérifier le réglage du détendeur doit être supérieure d'au moins 1 pouce (2,54 cm) de colonne d'eau à la pression de la tubulure indiquée sur l'étiquette signalétique.

Emplacement du détendeur

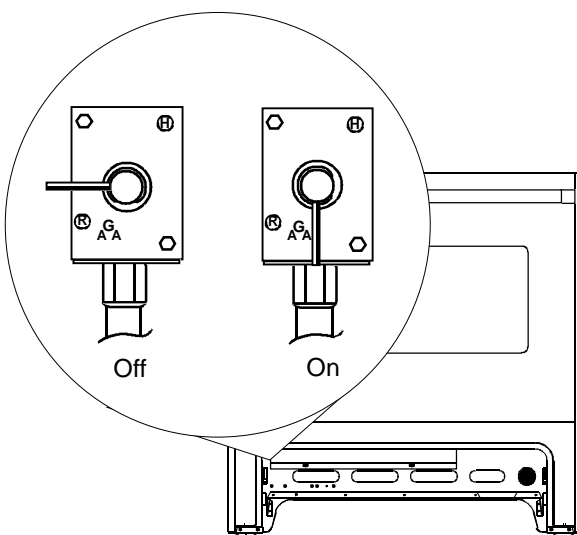
Enlever le couvercle arrière pour exposer le détendeur.



Emplacement du détendeur

Soupape d'arrêt du four

La soupape de gaz du four est mise en marche à l'usine, mais peut être accidentellement fermée durant l'installation. Vérifier si la soupape est bien ouverte.



Soupape d'arrêt du four

Conversion au gaz naturel ou au gaz propane

Cette cuisinière est réglée sur le gaz naturel en usine. Pour l'utiliser avec du gaz propane/GPL, il faut en faire la conversion. Voir détendeur de type 1 ou 2.

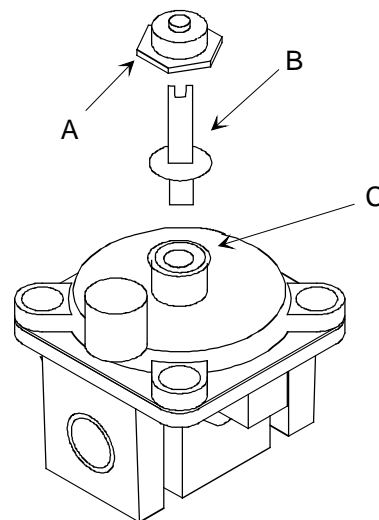


MISE EN GARDE

Pour éviter tout risque d'électrocution, de blessure, voire de décès, veiller à toujours débrancher la cuisinière du secteur électrique avant tout dépannage.

Conversion d'un détendeur de type 1 au gaz propane/GPL

1. Enlever le capuchon du détendeur à l'aide d'une clé à molettes.
2. Enlever le convertisseur en plastique du capuchon du détendeur.
 - Le convertisseur s'insère fortement dans le capuchon.
3. Inverser le convertisseur et le pousser fermement dans l'orifice du capuchon.
 - Le capuchon doit maintenant indiquer « LPG10 » ou « LP10 ».
4. Placer le capuchon sur le détendeur et serrer.
 - Le convertisseur ne doit pas empêcher le libre jeu du ressort dans le détendeur.

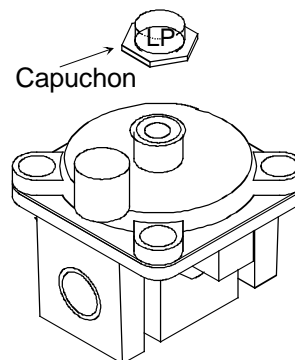


- A—Capuchon
B—Convertisseur en plastique (LP)
C—emplacement du ressort

Conversion d'un détendeur de type 1

Conversion d'un détendeur de type 2 au gaz propane/GPL

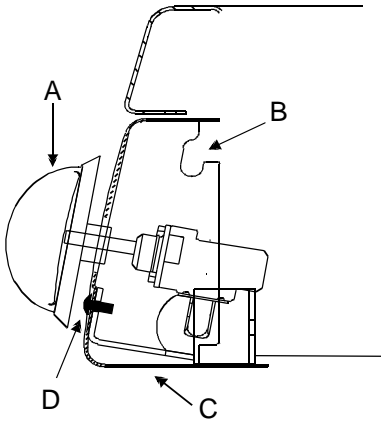
1. Enlever le capuchon du détendeur à l'aide d'une clé à molettes.
2. Inverser le capuchon.
 - Le capuchon doit maintenant indiquer « LP ».
3. Mettre le capuchon sur le détendeur et serrer.



Conversion d'un détendeur de type 2

Conversion des brûleurs au gaz propane/GPL

1. Enlever les 4 boutons de réglage des brûleurs de la cuisinière.
 - Exposer 2 vis sur le tableau de commande des brûleurs.
2. Enlever les 2 vis du tableau de commande.
 - Le tableau de commande descend légèrement lorsque l'on enlève les vis.
3. Soulever légèrement le bas du tableau de commande en tirant jusqu'à ce qu'il se dégage des tiges des boutons de réglage.
 - Une fois le tableau de commandes dégagé des tiges, continuer à le sortir par un mouvement de rotation. Le mettre de côté. Voir *Point de pivot* à la figure ci-dessous.
 - Le robinet et la bague de serrage sont visibles une fois le tableau de commande retiré.

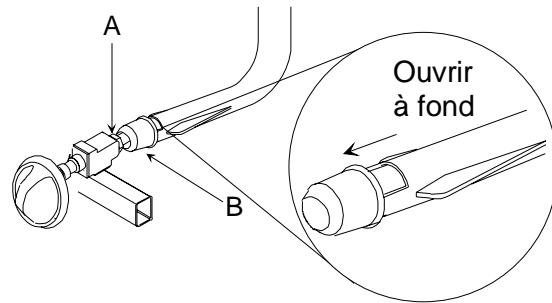


A—Bouton de réglage du brûleur
B—Point de pivot
C—Tableau de commande du brûleur
D—Vis

Conversion des brûleurs au gaz propane/GPL

4. Faire face au devant de la cuisinière et visser les capuchons d'orifice à fond, de 1 ½ à 2 tours dans le sens antihoraire, ou jusqu'à ce qu'ils soient bien en place.
 - Utiliser une clé à fourche de ½ pouce (1,27 cm) ou une clé à fourche coudée.
 - Ne pas trop serrer les capuchons car cela pourrait en foirer le fil ou couper l'alimentation de gaz.

5. Ouvrir complètement l'obturateur d'air.
6. Remettre le tableau de commande du brûleur en place après avoir réglé l'obturateur d'air.
 - Voir la rubrique *Réglage de la flamme des brûleurs*.

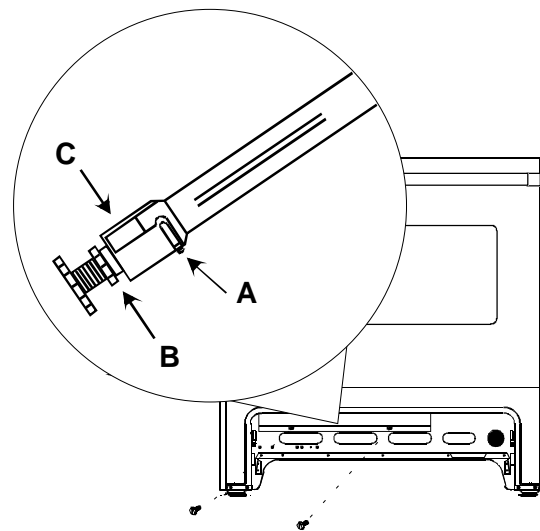


A—Bague de serrage
B—Obturateur d'air

Ouvrir complètement l'obturateur d'air

Conversion du brûleur du four au gaz propane/GPL

1. Enlever le tiroir de rangement.
 - Voir la rubrique *Retrait du tiroir de rangement*.
2. Localiser et enlever les 2 vis qui fixent la plaque en Z.
 - La plaque se trouve au centre de l'arrière de la cavité du tiroir.
 - Le retrait de la plaque expose l'orifice du brûleur et l'obturateur d'air.



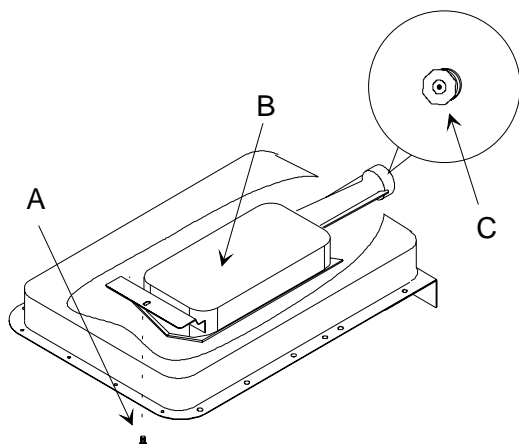
A—Vis de l'obturateur d'air
B—Bague de serrage
C—Obturateur d'air

Conversion du brûleur du four au gaz propane/GPL

3. Visser la bague de serrage sans cependant trop serrer.
 - Ne pas trop serrer le capuchon car cela pourrait en foirer le fil.
4. Remettre la plaque et le tiroir de rangement en place.

Conversion du brûleur du grill au gaz propane/GPL

1. Localiser le picot de l'orifice fixé au détendeur adjacent et l'enlever pour usage ultérieur.
 - Le picot utilisé pour le gaz propane/GPL est de couleur argent et porte le chiffre #58.



A—Enlever la vis
B—Grill
C—Orifice

Picot de l'orifice et du grill

2. Ouvrir la porte du four et localiser le brûleur du grill au plafond du four.
 - Pour faciliter la conversion, enlever la porte du four. Voir sous *Retrait de la porte du four*.
3. Enlever les 2 vis qui fixent l'avant du brûleur avant au plafond du four et enlever le grill.
 - Veiller à ne pas endommager l'allumeur en enlevant le grill.
4. Dévisser le picot marqué #52 (argent) à l'aide d'une clé de douille de $\frac{5}{16}$ pouce (0,79 cm) et le remplacer par le picot à gaz propane/GPL marqué # 58 (laiton).
 - Attacher le picot non utilisé près du détendeur pour usage ultérieur.
5. Remonter le grill et, s'il y a lieu, la porte du four.

Conversion d'un détendeur de type 1 au gaz naturel

1. Enlever le capuchon du détendeur à l'aide d'une clé à molettes.
2. Enlever le convertisseur en plastique du capuchon du détendeur.
 - Le convertisseur s'insère fortement dans le capuchon.
3. Inverser le convertisseur et le pousser fermement dans l'orifice du capuchon.
 - Le capuchon doit maintenant indiquer « NAT » ou ne porter aucune indication.
4. Placer le capuchon sur le détendeur et serrer.
 - Le convertisseur ne doit pas empêcher le libre jeu du ressort dans le détendeur.

Conversion d'un détendeur de type 2 au gaz naturel

1. Enlever le capuchon du détendeur à l'aide d'une clé à molettes.
2. Inverser le capuchon.
 - Le capuchon doit maintenant indiquer « NAT » ou ne porter aucune indication.
3. Mettre le capuchon sur le détendeur et serrer.

Conversion des brûleurs au gaz naturel

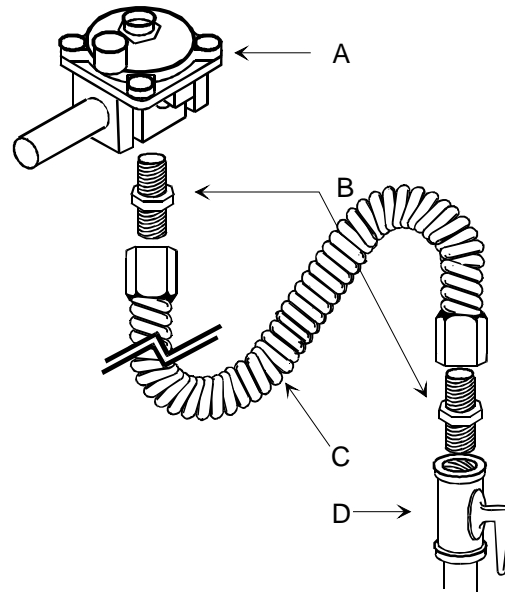
1. Enlever les 4 boutons de réglage des brûleurs de la cuisinière.
 - Exposer 2 vis sur le tableau de commande des brûleurs.
2. Enlever les 2 vis du tableau de commande.
 - Le tableau de commande descend légèrement lorsque l'on enlève les vis.
3. Soulever légèrement le bas du tableau de commande en tirant jusqu'à ce qu'il se dégage des tiges des boutons de réglage.
 - Une fois le tableau de commande dégagé des tiges, continuer à le sortir en un mouvement roulant. Le mettre de côté.
 - Le robinet et la bague de serrage sont visibles une fois le tableau de commande retiré.
4. Faire face au devant de la cuisinière et visser les capuchons d'orifice de $1\frac{1}{2}$ à 2 tours.
 - Utiliser une clé à molette de $\frac{1}{2}$ po (1,27 cm) coudée.
5. Remettre le tableau de commande en place après avoir réglé l'obturateur d'air.
 - Voir la rubrique *Réglage de la flamme des brûleurs*.

Conversion du brûleur du four au gaz naturel

1. Enlever le tiroir de rangement.
 - Voir la rubrique *Retrait du tiroir de rangement*.
2. Localiser et enlever les 2 vis qui fixent la plaque en Z.
 - La plaque se trouve au centre de l'arrière de la cavité du tiroir.
 - Le retrait de la plaque expose l'orifice du brûleur et l'obturateur d'air.
3. Dévisser le capuchon d'orifice de 2 tours.
4. Remettre la plaque et le tiroir de rangement en place.

Conversion du brûleur du grill au gaz propane/GPL

1. Localiser le picot de l'orifice fixé au détendeur adjacent et l'enlever pour usage ultérieur.
 - Le picot utilisé pour le gaz naturel marqué est de couleur laiton et porte le chiffre 52.
2. Ouvrir la porte du four et localiser le brûleur du grill au plafond du four.
 - Pour faciliter la conversion, enlever la porte du four. Voir sous *Retrait de la porte du four*.
3. Enlever les 2 vis qui fixent le brûleur avant au plafond du four et enlever le grill.
 - Veiller à ne pas endommager l'allumeur en enlevant le grill.
4. Dévisser le picot marqué 58 à l'aide d'une clé de douille de $\frac{5}{16}$ pouce (0,79 cm) et le remplacer par le picot à gaz naturel marqué 52.
5. Remonter le grill et, s'il y a lieu, la porte du four.



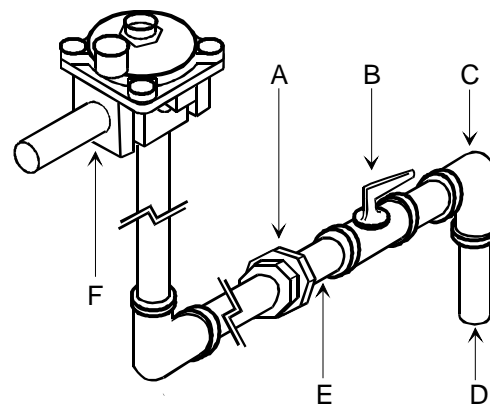
A—Détendeur
B—Raccord
C—Flexible de raccordement
D—Robinnet d'arrêt

Raccordement au gaz

Raccorder le détendeur à l'alimentation en gaz à l'aide d'une tubulure ou d'un flexible de raccordement. (Consulter les codes locaux). Le détendeur fourni avec cette cuisinière est équipé d'une connexion femelle de $\frac{1}{2}$ pouce NPT. Si un raccord est nécessaire, retirer le tiroir de rangement, pousser la cuisinière en place et installer le raccord.

- Consulter le Code national du gaz ou les codes locaux pour connaître les normes relatives à la taille du conduit d'alimentation et ainsi assurer un débit de gaz suffisant.
- Un robinet d'arrêt, non fourni avec la cuisinière, doit être posé dans un endroit accessible à l'extérieur de la cuisinière.
- Utiliser de la pâte à joints résistant aux effets du gaz propane sur le filetage de toutes les tubulures mâles.
- Utiliser uniquement le détendeur fourni.
- Ne pas trop serrer le raccord lors du raccordement du détendeur car celui-ci pourrait se trouver fêlé.
- Maintenir le détendeur en place à l'aide d'une clé lors de la pose des raccords.

Flexible de raccordement



A—Raccord
B—Robinnet d'arrêt
C—Coude de réduction de 3/4 x 1/2 po
D—Tubulure d'arrivée de 3/4 po
E—Raccord fileté de 1/2 po
F—Détendeur

Tubulure



MISE EN GARDE

Afin d'éviter tous dégâts matériels ou blessures, utiliser uniquement un flexible de raccordement neuf homologué AGA/CGA.

- Ne pas utiliser un flexible de raccordement usagé.
- Ne pas réutiliser l'ancien flexible de raccordement après avoir déplacé la cuisinière.

Vérification des fuites de gaz

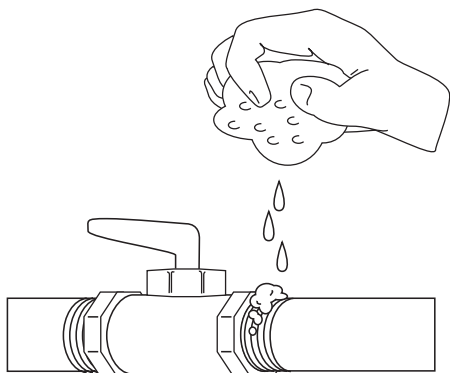
Une fois le raccordement au gaz effectué, ouvrir le robinet d'arrêt et vérifier que les joints et raccords de la conduite de gaz et de la cuisinière ne présentent pas de fuites.



MISE EN GARDE

Afin d'éviter tous dégâts ou blessures graves, ne jamais vérifier la présence de fuites à l'aide d'une allumette enflammée.

1. Mettre du savon sur le raccord.
 - S'il se forme des bulles, il y a une fuite.
2. S'il se forme des bulles, fermer l'arrivée de gaz.
3. S'il y a une fuite au niveau d'un joint installé en usine, le resserrer.
 - Si la fuite ne se trouve pas au niveau d'un joint installé en usine, le dévisser, mettre de la pâte à joint et serrer.
4. Revérifier que le raccord ne présente pas de fuite après avoir resserré le raccord.
 - Revérifier tout raccord qui aurait pu être desserré au cours du réglage précédent.



Vérification des fuites de gaz

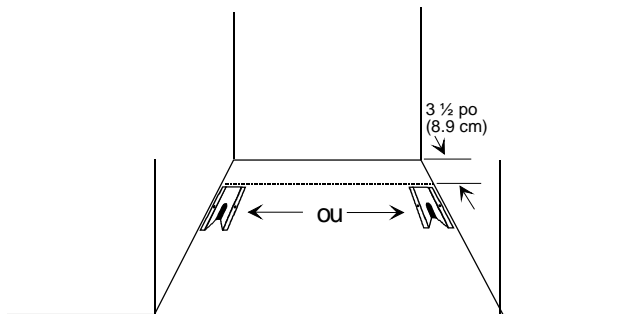
Obstruction des ouvertures

Les ouvertures pratiquées dans le mur, derrière la cuisinière, ou dans le plancher, sous la cuisinière, doivent être bouchées avant de la mettre en place.

Pose de la patte de stabilisation

Pour réduire les risques que la cuisinière ne bascule, la fixer en place à l'aide de pattes de stabilisation.

1. Mesurer 3 ½ po (8,9 cm) à partir du mur arrière du côté droit et du côté gauche de l'ouverture dans l'armoire. Marquer ces points sur le plancher et tirer un trait entre les deux.
2. Positionner la patte de stabilisation.
 - Si la cuisinière est placée contre l'armoire, placer la patte de stabilisation de façon à ce que le bord intérieur soit sur le trait tiré et l'extrémité de la patte contre l'armoire.
 - Si la cuisinière n'est pas placée contre l'armoire, la mettre à son emplacement final. Tirer un trait le long du côté de la cuisinière, de l'avant vers l'arrière. Enlever la cuisinière. Placer la patte de stabilisation de façon à ce que le bord intérieur soit sur le trait tiré à 3 ½ po (8,9 cm) du mur arrière, et l'extrémité sur le trait tiré le long du côté de la cuisinière.
 - La patte de stabilisation peut être installée d'un côté comme de l'autre de la cuisinière.



Pose de la patte de stabilisation

3. Marquer l'emplacement des 2 trous de la patte de stabilisation.
4. Percer 2 trous.
 - Dans le cas de bois, utiliser une mèche de $\frac{3}{32}$ po (0,24 cm).
 - Dans le cas de béton, utiliser une mèche à maçonnerie de $\frac{3}{16}$ po (0,48 cm) et insérer des fixations en plastique.
5. Fixer la patte au plancher à l'aide des vis fournies.
6. Pousser la cuisinière en place.
7. Enlever le tiroir de rangement de la cuisinière et confirmer que le pied réglable est bien inséré dans la patte de stabilisation.

Mise en place de la cuisinière

Brancher la cuisinière. La pousser en place. La mettre de niveau à l'aide des pieds réglables. La cuisinière doit être de niveau pour cuire et rôtir uniformément.

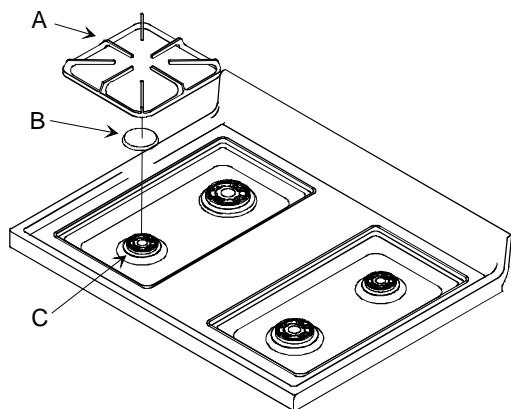
- Se servir d'un niveau placé sur la grille supérieure ou sur le dessus de la cuisinière pour la mettre de niveau.
- Il doit dépasser ¼ pouce (0,64 cm) des pieds réglables de façon à ce qu'ils puissent s'engager dans la patte de stabilisation.

Retrait et remise en place de la cuisinière

1. Débrancher la cuisinière.
2. Fermer le gaz au robinet et désolidariser la cuisinière de l'alimentation en gaz.
3. Retirer la cuisinière et la pousser de côté.
4. Enlever la patte de stabilisation et la fixer au nouvel emplacement prévu en suivant les indications fournies avec la patte.
5. Pour remettre la cuisinière en place, suivre les indications de la rubrique *Mise en place* de ce manuel.
 - Ne pas réutiliser le flexible de raccordement lors du changement d'emplacement de la cuisinière.

Placement des grilles et des couvre-brûleurs

Placer le couvre-brûleur sur la structure et la grille sur le dessus de la cuisinière.



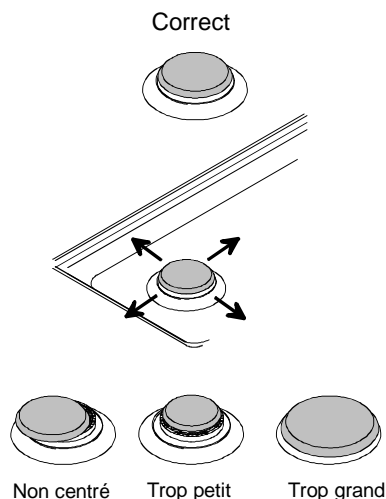
- A—Grille du brûleur
B—Couvre-brûleur
C—Structure du brûleur

Placement des grilles et des couvre-brûleurs

Les chevilles de la structure du brûleur conviennent à l'empreinte en dessous du couvre-brûleur. Pour s'assurer que le couvre-brûleur est bien aligné et mis de niveau, le faire tourner autour de la structure du brûleur. Le couvre-brûleur doit être correctement fixé à la structure du brûleur afin d'en assurer le bon fonctionnement.

S'assurer que chaque structure du brûleur est recouverte d'un couvre-brûleur de taille appropriée. Le brûleur ne brûlera pas adéquatement si un couvre-brûleur est placé sur une structure dont la taille ne lui convient pas.

Vérifier l'allumage après avoir placé le couvre-brûleur. Voir la rubrique *Fonctionnement des brûleurs* pour l'utilisation des brûleurs.



Couvre-brûleur

Réglage de la flamme des brûleurs



MISE EN GARDE

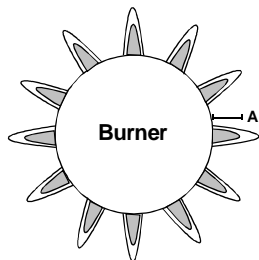
Pour éviter tout risque d'électrocution, de blessure, voire de décès, débrancher la cuisinière du secteur électrique avant tout dépannage.

Allumer le brûleur. Voir la rubrique *Fonctionnement des brûleurs* pour l'utilisation des brûleurs.

Le brûleur devrait s'allumer dans les 4 secondes. Une flamme correctement réglée est bleue et présente un cône bien défini d'environ ¼ à ½ pouce (0,64 à 1,3 cm) de long. Il est normal que la flamme soit jaune lorsque du gaz propane/GPL est utilisé.

Voir la rubrique Réglage de l'obturateur d'air.

- Si la flamme se détache du brûleur ou est bruyante, réduire l'apport d'air au brûleur.
- Si la flamme ne garde pas sa forme, augmenter l'apport d'air au brûleur.

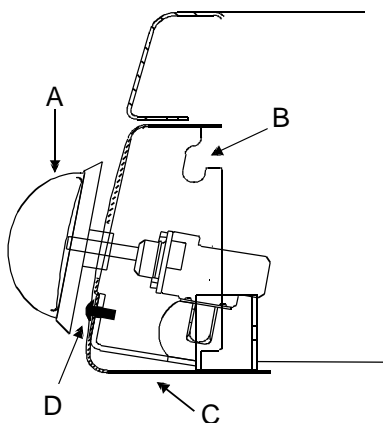


A— $\frac{1}{4}$ à $\frac{1}{2}$ pouce (0,64 à 1,3 cm) de longueur

Réglage de la flamme des brûleurs

Réglage de l'obturateur d'air

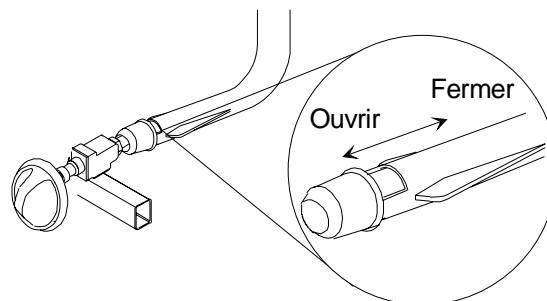
1. Enlever les 4 boutons de réglage des brûleurs de la cuisinière.
 - Exposer 2 vis sur le tableau de commande des brûleurs.
2. Enlever les 2 vis du tableau de commande.
 - Le tableau de commande descend légèrement lorsque l'on enlève les vis.
3. Soulever légèrement le bas du tableau de commande en tirant jusqu'à ce qu'il se dégage des tiges des boutons de réglage.
 - Une fois le tableau de commande dégagé des tiges, continuer à le sortir par un mouvement de rotation. Le mettre de côté. Voir *Point de pivot* à la figure ci-dessous.
 - Le robinet et la bague de serrage sont visibles une fois le tableau de commande retiré.



A—Bouton de réglage du brûleur
B—Point de pivot
C—Tableau de commande du brûleur
D—Vis

Réglage de l'obturateur d'air

4. Faire coulisser l'obturateur d'air pour l'ouvrir ou le fermer, en fonction de l'apparence de la flamme.
 - Si la flamme est jaune et ne garde pas sa forme, ouvrir l'obturateur.
 - Si la flamme se détache du brûleur ou est bruyante, fermer l'obturateur.
5. Remonter le tableau de commande des brûleurs.

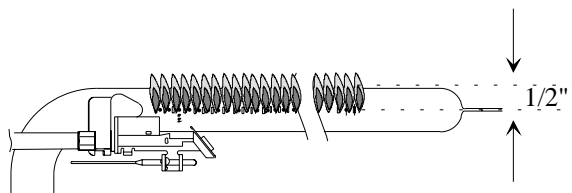


A—Vis de verrouillage de l'obturateur d'air
B—Obturateur d'air

Réglage de l'obturateur d'air

Réglage de la flamme du four

Une flamme correctement réglée est bleue et présente un cône interne bien défini de $\frac{1}{2}$ pouce (1,27 cm) de long. Lorsque du gaz naturel est utilisé, la flamme ne doit jamais être jaune. Ceci est cependant normal lorsque du gaz propane/GPL est utilisé.



Une flamme correctement réglée

La flamme ne doit pas être visible à l'intérieur du four et ne doit pas dépasser la partie inférieure amovible du four.

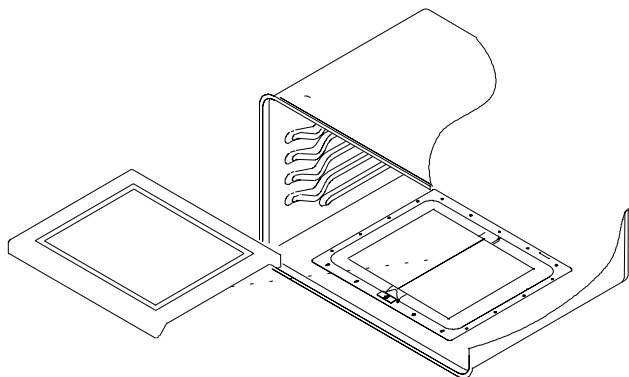
- Si la flamme se détache du brûleur ou est bruyante, réduire l'apport d'air au brûleur.
- Si la flamme est jaune et ne garde pas sa forme, augmenter l'apport d'air au brûleur.

Retrait de la partie inférieure du four

ATTENTION

Pour éviter tout risque de coupures, porter des gants de protection pour retirer la partie inférieure du four. Les rebords pointus sont coupants.

1. Tirer la partie inférieure du four vers l'avant et la soulever.
2. Replacer la partie inférieure du four. Celle-ci est dotée d'attaches à l'arrière qui peuvent être insérées dans les ouvertures se trouvant dans le plancher du four.



Retrait de la partie inférieure du four

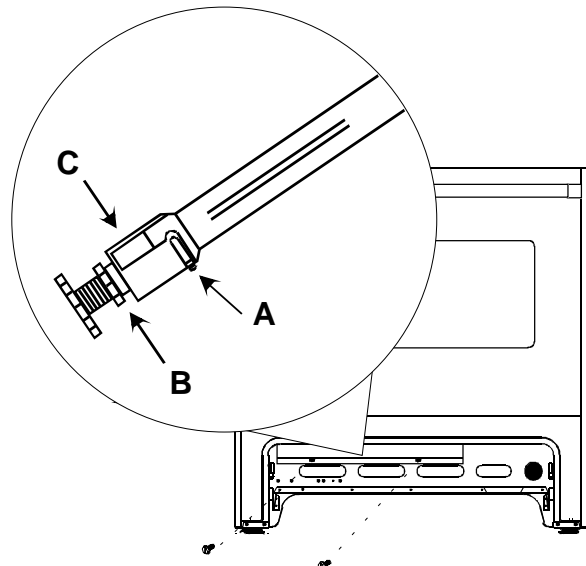
Surface avoisinante au brûleur

MISE EN GARDE

Pour éviter tout risque d'électrocution, de blessure, voire de décès, débrancher la cuisinière du secteur électrique avant tout dépannage.

1. Enlever le tiroir de rangement.
 - Voir la rubrique *Retrait du tiroir de rangement*.
2. Localiser et enlever les 2 vis qui fixent la plaque en Z.
 - La plaque se trouve au centre de l'arrière de la cavité du tiroir.
 - Le retrait de la plaque expose l'orifice du brûleur et l'obturateur d'air.

3. Dévisser la vis de blocage de l'obturateur d'air et ouvrir ou fermer ce dernier.
 - Resserrer la vis de blocage de l'obturateur une fois le réglage effectué.
4. Remettre la plaque et le tiroir de rangement en place.



A—Vis de l'obturateur d'air
B—Bague de serrage
C—Obturateur d'air

Surface avoisinante au brûleur

Flamme du grill

Type de l'écran de rayonnement

La flamme doit être floue. La partie mal définie de la flamme ne doit pas dépasser $\frac{3}{8}$ pouce (0,95 cm) d'épaisseur. L'écran de rayonnement doit rougeoyer dans les 1 ou 2 minutes qui suivent.

Le brûleur du grill ayant un orifice à ouverture fixe, ne pas essayer de le régler. Le grill n'est pas équipé d'un obturateur d'air.

Réglage de l'horloge

L'horloge possède 3 modes : affichage de l'heure, réglage de l'heure (clignotant) et heure non affichée. Appuyer sur *CLOCK* pour passer d'un mode à l'autre.

Lorsque le courant est branché ou rétabli, l'affichage clignote jusqu'à ce que la touche soit enfoncée ou que le bouton du thermostat soit tourné. Remettre l'horloge à zéro.

1. Vérifier si l'affichage clignote.
 - Si l'affichage ne clignote pas, appuyer sur *CLOCK* jusqu'à ce que l'affichage clignote.
2. Appuyer sur *HRS +* ou - pour régler les heures et sur *MIN +* ou - pour régler les minutes.
3. Appuyer sur *CLOCK* pour sauvegarder l'heure.

Fonctionnement

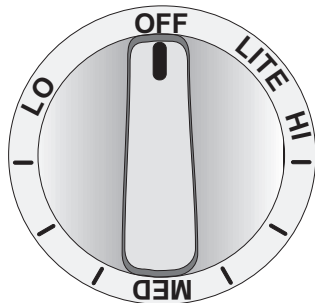
Utilisation des brûleurs de la surface de cuisson



MISE EN GARDE

Pour éviter tout risque de blessures, de dégâts matériels ou d'incendie, ne pas laisser les brûleurs sans surveillance pendant leur fonctionnement. La graisse et les liquides qui débordent peuvent provoquer un incendie.

1. Pousser sur le bouton et le tourner dans le sens contraire à celui des aiguilles d'une montre jusqu'à la position « *LITE* » (allumage).
 - Le brûleur doit s'allumer dans les 4 secondes. Si ce n'est pas le cas, tourner le bouton de commande à la position « *OFF* » (arrêt) et suivre les directives des rubriques « Placement des grilles et des couvre-brûleurs » et « Avant d'appeler le service de dépannage ». Essayer de nouveau. Si le brûleur ne s'allume toujours pas dans les 4 secondes, appeler un prestataire de service après-vente agréé.

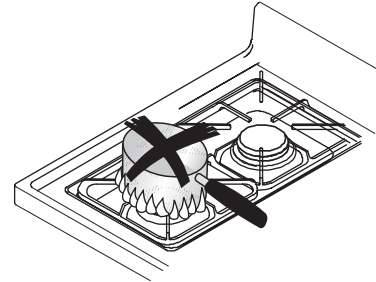


Le bouton

2. Une fois le brûleur allumé, mettre le bouton sur le réglage désiré.
 - Les boutons peuvent être mis sur n'importe quelle température de cuisson. Les réglages ne produisent pas de « clic » distinct.
 - Utiliser le réglage « *HI* » pour amener les liquides à ébullition. Une fois le point d'ébullition atteint, baisser le feu.
 - Après avoir allumé le brûleur, ne pas le faire fonctionner pendant une durée prolongée sans qu'il n'y ait de plat de cuisson sur la grille. Le fini de la grille pourrait s'écailler sans plat pour absorber la chaleur.
3. Une fois la cuisson terminée, mettre le réglage sur « *OFF* » (arrêt).

Réglage de taille de la flamme du brûleur

- Tout en tournant le bouton de commande, surveiller la flamme du brûleur.
- La taille de la flamme du brûleur doit correspondre à celle du plat. Ne pas laisser la flamme dépasser les extrémités du plat. Une flamme qui dépasse les extrémités d'un plat peut causer des brûlures, rendre la poignée chaude ou brûler les vêtements.



Réglage de taille de la flamme du brûleur

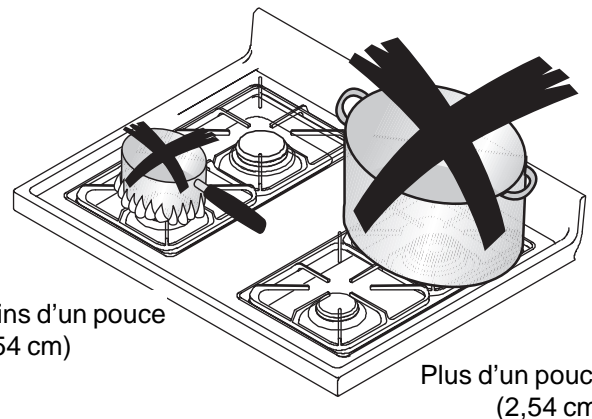
Utilisation des brûleurs de la surface de cuisson en cas de panne de secteur

Bien que le système d'allumage du brûleur soit électrique, il est possible d'allumer les brûleurs de la surface de cuisson pendant une panne. Ne jamais essayer d'allumer les brûleurs de cuisson normale ou de cuisson au gril pendant une panne de secteur.

1. Placer une allumette à la base du brûleur voulu.
2. Appuyer sur le bouton et le mettre sur « *LITE* » (allumage).
3. Une fois le gaz allumé, retirer l'allumette et tourner le bouton sur le réglage désiré.

Plats de cuisson

- Utiliser un plat de taille appropriée. Ne pas utiliser de plat dont le dessous est plus petit que l'élément. Ne pas utiliser d'ustensiles qui dépassent l'élément de plus d'un pouce (2,54 cm).

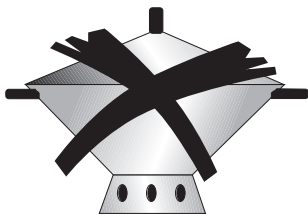


Moins d'un pouce
(2,54 cm)

Plus d'un pouce
(2,54 cm)

Utiliser un plat de taille appropriée.

- Manipuler avec soin les ustensiles de cuisson émaillés. Certains verres, la faïence et autres ustensiles émaillés peuvent casser lors de changements soudains de température.
- Les poignées des ustensiles ne doivent pas être desserrées ni cassées.
- Elles ne doivent pas être assez lourdes pour faire incliner le plat.
- Ne pas utiliser de grilles de four sur la cuisinière. Ces grilles empêchent une combustion complète et peuvent faire en sorte que le taux de monoxyde de carbone soit supérieur aux limites acceptables.
- Ne pas utiliser de wok avec un support annulaire. Utiliser un wok à fond plat.

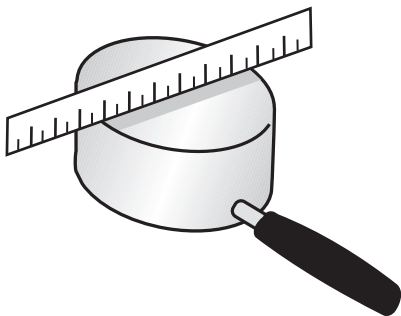


Wok

Caractéristiques des matériaux des plats		
Type	Réponse de la température	Utilisation
Aluminium	Chauffe et refroidit rapidement	Friture, braisage, rôtissage
Fonte	Chauffe et refroidit rapidement	Cuisson à feu doux, friture
Cuivre avec étain	Chauffe et refroidit rapidement	Gastronomie, sauces au vin, plats aux oeufs
Métal émaillé	Selon le métal de base	Cuisson à feu doux
Vitro-céramique	Chauffe et refroidit rapidement	Cuisson à feu doux
Acier inoxydable	Chauffe et refroidit à une vitesse modérée	Soupes, sauces, légumes, cuisson générale

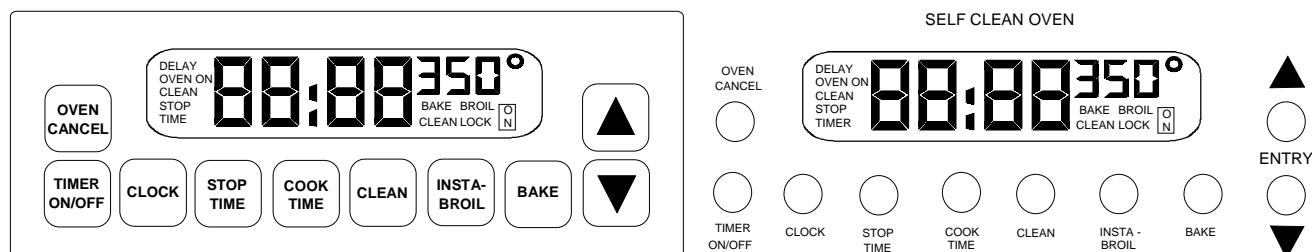
Pour éviter le basculage, utiliser un récipient à fond plat. Déterminer si le plat possède un fond plat.

1. Faire tourner une règle le long du fond du récipient. S'il n'est pas plat, des écarts entre le fond du récipient et le rebord de la règle apparaîtront.
2. Une petite rainure ou marque sur le récipient n'affecte pas les durées de cuisson. Cependant, s'il y a un écart, des cernes ou que le fond du récipient est inégal, la cuisson est inefficace et dans certains cas, l'eau ne bouillera pas.



Utiliser un récipient à fond plat

Commandes et interrupteurs du four électronique



Commande du four électronique

Touche	Description
OVEN CANCEL (annuler le four)	Annule toute fonction de nettoyage ou de cuisson sauf la minuterie.
TIMER ON/OFF (minuterie marche/arrêt)	Utiliser pour minuter toute fonction de cuisson ou annuler la minuterie. Ne commande pas la fonction de cuisson, de braisage ou de nettoyage.
CLOCK (horloge)	Utiliser pour régler l'heure.
STOP TIME (heure d'arrêt)	Utiliser pour régler la cuisson retardée ou le cycle d'autonettoyage.
COOK TIME (temps de cuisson)	Utiliser pour programmer la cuisson.
CLEAN (nettoyage)	Utiliser pour choisir le cycle d'autonettoyage.
BROIL (braisage)	Utiliser pour choisir la fonction de braisage
BAKE (cuisson)	Utiliser pour choisir la fonction de cuisson.
▼ ou ▲	Utiliser pour choisir la température ou l'heure.

Signaux du four

Signal de minuterie	Lorsque le temps s'est écoulé, la minuterie émet 3 signaux sonores pour ensuite retentir à chaque 6 à 8 secondes jusqu'à ce que la touche TIMER ON/OFF soit enfoncée.
Signal de préchauffage	Après avoir réglé le four pour la cuisson et choisi la température, le four préchauffe. Lorsque le four atteint la température désirée, un signal sonore d'une seconde est émis.
Signal de fin de cycle	Le signal du four retentit 3 fois, puis une fois à toutes les 6-8 secondes pendant 5 minutes ou jusqu'à ce que la touche OVEN CANCEL soit activée. Si le signal de fin de cycle de la minuterie retentit, appuyer sur la touche TIMER ON/OFF.

Interrupteurs du four

Lumière du tableau (ARG7800)	Utilisée pour éclairer le dossier et la surface de cuisson.
Interrupteur pour la lumière du four	La lumière du four s'allume lorsque la porte du four est ouverte ou lorsque l'interrupteur pour la lumière du four se trouvant sur le panneau de commandes est mis en marche.

Affichage



Affiche l'heure et les réglages de la minuterie et des temps de cuisson retardée.



Affiche la température et la méthode de cuisson pour le four.

Lexique d'affichage

TIME (heure)	TIME s'affiche pendant le réglage de l'heure du jour, la minuterie pour la cuisson retardée ou pour l'autonettoyage retardé.
BAKE (cuisson)	BAKE s'affiche pendant le réglage de cuisson ou pendant la cuisson.
ON (en marche)	S'affiche lorsque le four chauffe.
DELAY (retardement)	S'affiche pendant le réglage de cuisson ou d'autonettoyage retardé. Le four ne chauffe pas.
STOP (arrêt)	S'affiche pendant le réglage de l'arrêt de la minuterie pour la cuisson ou l'autonettoyage retardé.
BROIL (braisage)	S'affiche pendant le réglage ou lorsque le four est dans le mode de braisage.
CLEAN (nettoyage)	S'affiche pendant le réglage ou lorsque le four est dans le mode d'autonettoyage.
LOCK (verrouillage)	LOCK clignote pendant le verrouillage de la porte et demeure affiché pendant le verrouillage de la porte. Lorsque le cycle d'autonettoyage est terminé et lorsque la température est refroidie, LOCK disparaît et la porte peut être ouverte.

Autres fonctions

Annulation automatique de 12 heures	Ceci est une fonction de sécurité qui arrête le four après 12 heures de fonctionnement. Si une fonction de cuisson est en marche pendant plus de 12 heures sans qu'aucune option de commande du four n'ait été sélectionnée, cette fonction éteint automatiquement le four. Chaque fois qu'une option est sélectionnée, la fonction d'annulation automatique de 12 heures est remise à zéro.
Système à l'épreuve des enfants	Cette fonction empêche les enfants de programmer le four par mégarde en débranchant les commandes électroniques du four. Appuyer et retenir les touches BAKE et COOK TIME pendant 5 secondes. Le mot OFF s'affiche dans l'espace réservé à l'affichage de l'heure. Pour réactiver les commandes, appuyer et retenir pendant 5 secondes les touches BAKE et COOK TIME situées sur le panneau de commandes à la partie supérieure du four. Le système à l'épreuve des enfants doit être réactivé après une panne d'électricité.
Codes et signaux détecteurs de problèmes	La commande de la cuisinière électronique est pourvue d'un système d'autodiagnostic. Ce système d'autodiagnostic vous avertit lorsqu'un problème ou une erreur survient au niveau des commandes. Si la cuisinière électronique émet une série de sons brefs et rapides durant 16 secondes et fait apparaître un "code F", prendre note du code. Certains codes F peuvent être annulés en appuyant sur la touche OVEN CANCEL ou en débranchant l'alimentation. Si le code continue d'apparaître, appeler un centre de service après-vente agréé. Débrancher l'alimentation électrique de la cuisinière et communiquer avec un centre de service après-vente agréé. F1—Problème au niveau des commandes F2—Température du four très élevée F3—Problème au niveau du capteur de température F4—Problème au niveau du circuit de température F7—Problème au niveau des touches F9—Problème au niveau du verrouillage de la porte (porte déverrouillée) FF—Problème au niveau du verrouillage de la porte (porte verrouillée)

Réglage de l'horloge

- Appuyer sur la touche CLOCK.
 - Affichage du mot TIME.
- Appuyer sur la touche ▲ ou ▼ jusqu'à ce que l'heure exacte soit affichée.
- Appuyer sur la touche OVEN CANCEL pour régler l'heure.
 - Si la touche OVEN CANCEL n'est pas appuyée dans les 30 secondes suivant la dernière entrée, le mot TIME disparaît et l'heure réapparaît.

Annulation de la minuterie

- Appuyer sur la touche TIMER ON/OFF et la maintenir enfoncée pendant 3 secondes.
- Lors de l'annulation de la minuterie, ne pas appuyer sur la touche OVEN CANCEL. Cela annulerait la fonction de cuisson.

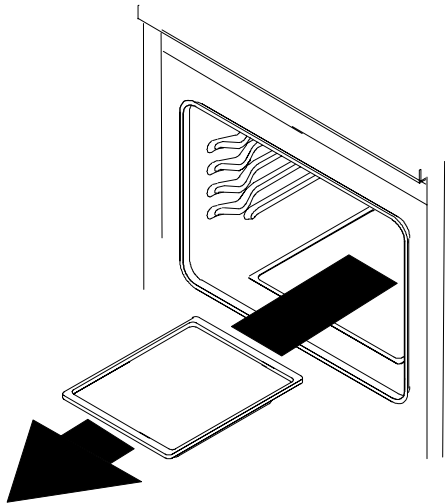
Réglage de la minuterie

- Appuyer sur la touche TIMER ON/OFF.
 - Affichage du mot TIME.
- Appuyer sur ▲ ou ▼ jusqu'à ce que la durée exacte soit affichée.
 - La minuterie peut être réglée de 5 secondes à 9 heures 50 minutes.
 - La minuterie commence le décompte automatiquement.
- Lorsque le temps s'est écoulé, la minuterie émet 3 signaux sonores pour ensuite retentir à chaque 6 à 8 secondes.
 - Appuyer sur la touche TIMER ON/OFF pour arrêter la sonnerie tout en demeurant dans le mode de minuterie.

Préparation à la cuisson

Retrait des articles rangés dans le four

Retirer tous les plats et autres ustensiles de cuisson rangés dans le four. Les articles rangés dans le four peuvent être endommagés ou endommager le four.



Retrait des articles rangés dans le four

Mise en place des grilles du four

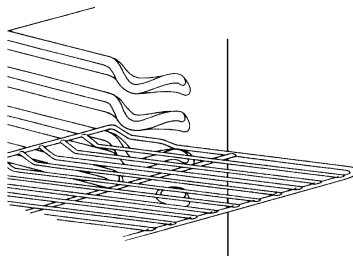
Mettre les grilles du four en place avant de mettre ce dernier en marche.



MISE EN GARDE

Pour éviter tout risque d'incendie ou d'endommager le revêtement du four, ne pas tapisser la grille ou la inférieure du four de papier aluminium.

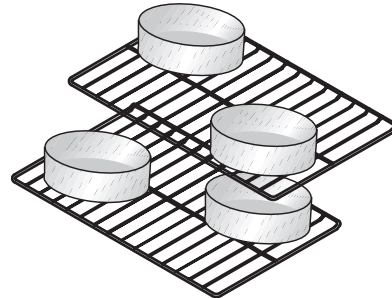
1. Tirer la grille vers l'avant jusqu'à ce qu'elle s'arrête.
2. Soulever le rebord avant de la grille puis tirer jusqu'à ce que la grille sorte du four.
3. Replacer la grille à la hauteur désirée.
 - La partie courbée de la grille doit être orientée vers l'arrière du four.



Mise en place des grilles du four

Comment placer les plats

- Maintenir les plats et les tôles à biscuits à deux pouces des parois du four.
- Répartir les plats sur les différentes grilles, de sorte qu'aucun ne soit situé directement au-dessus d'un autre.



Comment placer les plats

Flamme du brûleur de cuisson

Ne pas attendre plus de 40-60 secondes avant que le brûleur s'allume et que la chaleur soit ressentie. Pour vérifier la présence de chaleur, ouvrir la porte du four au premier butoir et placer la main au-dessus de la porte du four. Si aucune chaleur n'est ressentie, tourner le bouton du thermostat à la position « OFF ». Si le brûleur ne s'allume pas après plusieurs essais, appeler un prestataire de service après-vente agréé.

La cuisson au four conventionnel

Ouvrir la porte du four pour vous assurer qu'il est bien vide et ajuster les grilles à la hauteur désirée. Pour la cuisson légère, préchauffer le four pendant environ 15 à 20 minutes avant d'y insérer de la nourriture.

1. Appuyer sur la touche BAKE.
 - BAKE et "---°" s'affichent.
2. Appuyer sur ▲ ou ▼ jusqu'à ce que la température désirée soit affichée.
 - La température commence à 350°F et peut être réglée de 170° F à 550°F en progression de 5 degrés.
 - L'affichage de la température augmente de 5°F à partir de 100°F jusqu'à ce qu'il atteigne la température désirée. Il est normal qu'il se dégage un peu de fumée lorsque le four est utilisé pour la première fois. Lorsque la température de cuisson est atteinte, le four émet un signal sonore pendant environ une seconde.
3. Appuyer sur la touche OVEN CANCEL (annuler le four) une fois la cuisson terminée.
 - Retirer la nourriture du four quand le temps de cuisson est écoulé. La nourriture restant dans le four peut trop cuire.

Cuisson minutée au four conventionnel

Sélectionner la durée de cuisson désirée. Le four s'arrête automatiquement lorsque le temps est écoulé.

1. Placer la nourriture dans le four.
2. Appuyer sur la touche COOK TIME.
3. Appuyer sur la touche ▲ ou ▼ jusqu'à ce que le temps de cuisson soit affiché.
 - Le temps de cuisson peut être réglé jusqu'à 11 heures et 55 minutes.
 - Le temps minimal de cuisson est de 10 minutes.
 - Si le temps de cuisson est enregistré sans spécifier la température, les symboles BAKE et ---° apparaissent et clignotent.
4. Appuyer sur la touche BAKE.
5. Appuyer sur ▲ ou ▼ jusqu'à ce que la température désirée soit affichée.
 - La température commence à 350°F et peut être réglée de 170° F à 550° F en progression de 5 degrés.
 - L'affichage de la température augmente de 5° F à partir de 100° F, jusqu'à ce qu'il atteigne la température désirée. Il est normal qu'il se dégage un peu de fumée lorsque le four est utilisé pour la première fois. Lorsque la température de cuisson est atteinte, le four émet un signal sonore.
 - Pour voir l'affichage du temps de cuisson, tenir enfoncée la touche COOK TIME.
 - Lorsque le temps de cuisson est écoulé, le signal de fin de cycle se fait entendre, le four s'éteint automatiquement et l'affichage revient à l'heure du jour. Le signal du four retentit 3 fois, puis une fois à toutes les 6-8 secondes pendant 5 minutes ou jusqu'à ce que la touche OVEN CANCEL soit enfoncée.
6. Appuyer sur la touche OVEN CANCEL quand le temps de cuisson est terminé.
 - Retirer la nourriture du four lorsque le temps de cuisson est écoulé. La nourriture restant dans le four peut trop cuire.

Pour annuler la durée de cuisson qui reste, appuyer sur la touche OVEN CANCEL.

Cuisson retardée au four conventionnel

Régler le temps de cuisson en indiquant le début et la fin de la cuisson plus tard dans la journée. La commande de la cuisinière calcule automatiquement le début de la cuisson.

1. Placer la nourriture dans le four.
2. Appuyer sur la touche BAKE.
3. Appuyer sur ▲ ou ▼ jusqu'à ce que la température désirée soit affichée.
 - La température commence à 350°F et peut être réglée de 170° F à 550° F en progression de 5 degrés
4. Appuyer sur la touche STOP TIME.
 - L'heure du jour est indiquée à l'affichage.

5. Appuyer sur ▲ ou ▼ jusqu'à ce que la durée de cuisson désirée soit affichée. Celle-ci peut atteindre un maximum de 11 heures et 55 minutes.
6. Appuyer sur la touche COOK TIME.
 - Plus tard, pour connaître la durée de la cuisson, appuyer sur la touche COOK TIME.
7. Appuyer sur ▲ ou ▼ jusqu'à ce que le temps de cuisson désiré soit affiché.
 - La durée minimale de cuisson est de 10 minutes.
 - Une commande de la cuisinière électronique calcule le début du temps de cuisson. Au début de la cuisson, l'indicateur lumineux DELAY n'est plus allumé et "N" apparaît à l'affichage.
 - Pour connaître la durée de la cuisson, appuyer sur la touche COOK TIME.
 - Pour connaître l'heure à laquelle la cuisson sera terminée, appuyer sur la touche STOP TIME.
8. Lorsque le temps de cuisson est écoulé, le signal de fin de cycle se fait entendre, le four s'éteint automatiquement et l'affichage revient à l'heure du jour. Le signal du four retentit 3 fois, puis une fois à toutes les 6-8 secondes pendant 5 minutes ou jusqu'à ce que la touche OVEN CANCEL soit activée.

Pour annuler la durée de cuisson restante

Appuyer sur la touche OVEN CANCEL.

Cuisson sur le gril



MISE EN GARDE

Pour éviter tout risque d'incendie, ne pas recouvrir le gril de papier aluminium.

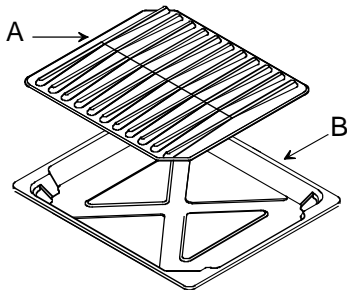
- Celui-ci peut emprisonner la graisse sur le dessus du gril près du brûleur, causant ainsi un incendie.
- Ne jamais laisser le four sans surveillance pendant la cuisson sur le gril. Une cuisson excessive peut causer un incendie.

Conseils pour la cuisson sur le gril

- Enlever l'excédent de gras de la viande avant le rôtissage. Couper les rebords de la viande pour empêcher qu'elle ne se recroqueville sur elle-même.
- Placer la nourriture dans une lèchefrite froide et sans graisse. Si le plat est chaud, la nourriture collera.
- Tous les aliments sauf le poisson doivent être retournés au moins une fois. Commencer la cuisson sur le gril en plaçant le côté de la peau vers le bas.
- Assaisonner la viande lorsqu'elle est dorée.
- La cuisson sur le gril ne nécessite aucun préchauffage.
- Commencer la cuisson en plaçant les grilles à la hauteur suggérée dans la rubrique « Guide de cuisson sur le gril » pour évaluer les résultats de la cuisson sur le gril. Si la nourriture n'est pas assez dorée, faire cuire à un niveau plus élevé et inversement si elle est trop dorée.

Cuisson sur le grill

1. Centrer la nourriture sur le grill et le plat, et la placer dans le four.
 - La porte du four doit être fermée.
2. Appuyer sur la touche BROIL. BROIL et "----" s'affichent.
3. Appuyer sur ▲ ou ▼.
 - Le four commence le braisage dans les 5 secondes qui suivent. "BROIL", "N" et "HI".



A—Grill
B—Plateau

Plateau et grille

Flamme du grill

Ne pas attendre plus de 40-60 secondes avant que le brûleur s'allume et qu'une flamme apparaisse. Si le brûleur ne s'allume pas, tourner le bouton du thermostat à la position « OFF ». Si le brûleur ne s'allume pas dans un délai de 40-60 secondes après plusieurs essais, appeler un prestataire de service après-vente agréé.

La flamme de type écran de rayonnement doit être floue. La partie mal définie de la flamme ne doit pas dépasser $\frac{3}{8}$ pouce (0,95 cm) d'épaisseur. L'écran de rayonnement doit rougeoyer dans les 1 ou 2 minutes qui suivent.

Préparation pour l'autonettoyage et l'autonettoyage retardé



MISE EN GARDE

Pour éviter les risques de blessure, ne pas toucher aux conduits d'aération du four ou aux surfaces autour de ceux-ci durant l'autonettoyage. Ces surfaces peuvent devenir assez chaudes pour causer des brûlures.

Pour éviter les risques de dommages causés par la fumée ou le feu, nettoyer les renversements importants à l'intérieur du four.



ATTENTION

Pour éviter les dommages causés par le feu ou la fumée, enlever tous matériaux inflammables du tiroir de rangement. Des articles comme les contenants en plastique et les manuels en papier peuvent fondre ou brûler.

- Un peu de fumée peut se dégager pendant le nettoyage. La fumée excessive indique peut-être qu'un joint d'étanchéité est défectueux, ou que trop de résidus de nourriture sont restés dans le four. Pendant le cycle d'autonettoyage du four, déplacer dans une autre pièce les oiseaux ou autres petits animaux pouvant être incommodés par les échappements.
- Le four doit être nettoyé avant qu'il soit trop sale. Essuyer les renversements importants avant l'autonettoyage.
- Ne pas faire fonctionner le cycle d'autonettoyage si le couvre-ampoule du four n'est pas bien en place.
- Retirer les grilles du four et tous les ustensiles de cuisson du four.
- Nettoyer les renversements importants de l'intérieur du four.
- Retirer les articles de la partie supérieure de la cuisinière et du dossier. Ces surfaces peuvent devenir chaudes lors du cycle d'autonettoyage.

Autonettoyage

La fonction d'autonettoyage utilise la température maximale du four pour nettoyer l'intérieur de ce dernier.

1. Préparer le four pour le cycle autonettoyage
2. Appuyer sur la touche CLEAN.
3. Appuyer sur ▲ ou ▼ jusqu'à ce que la durée de nettoyage désirée soit affichée.
 - Lorsque vous appuyez sur ▲ ou ▼, le symbole "3 :00" apparaît.
 - Augmenter ou diminuer le temps de nettoyage par tranches de 5 minutes.
 - Le nettoyage peut durer entre 2 et 4 heures. La durée minimale de nettoyage recommandée est de 3 heures.
 - Le four commence automatiquement son cycle d'autonettoyage à l'heure choisie. Lorsque le système de verrouillage automatique de la porte du four s'enclenche, le mot LOCK apparaît et clignote.
4. Appuyer sur la touche OVEN CANCEL quand le cycle de nettoyage est terminé.
 - Lorsque le four refroidit et qu'il atteint une température sécuritaire, la porte du four se déverrouille et le symbole LOCK se met à clignoter. Lorsque le symbole LOCK disparaît, la porte peut être ouverte.

Interruption du cycle d'autonettoyage

1. Appuyer sur la touche OVEN CANCEL.
2. Lorsque le four refroidit et qu'il atteint une température sécuritaire, la porte se déverrouillera et pourra être ouverte.

Autonettoyage retardé

La fonction d'autonettoyage utilise la température maximale du four pour nettoyer l'intérieur de ce dernier. Régler le four pour débiter et terminer le cycle de nettoyage à une heure ultérieure. L'heure du début du cycle de nettoyage est calculée à partir de l'heure d'arrêt.

1. Préparer le four pour l'autonettoyage.
2. Appuyer sur la touche CLEAN.
3. Appuyer sur ▲ ou ▼ jusqu'à ce que la durée de nettoyage désirée soit affichée.
 - Lorsque vous appuyez sur ▲ ou ▼, le symbole "3:00" apparaît.
 - Augmenter ou diminuer le temps de nettoyage par tranches de 5 minutes.
 - Le nettoyage peut durer entre 2 et 4 heures. La durée minimale de nettoyage recommandée est de 3 heures.
4. Appuyer sur la touche STOP TIME.
5. Appuyer sur ▲ ou ▼ jusqu'à ce que l'heure d'arrêt désirée soit affichée.
 - L'heure du début est automatiquement calculée en fonction de la durée du nettoyage et l'heure d'arrêt.
 - Lorsque le système de verrouillage automatique de la porte du four s'enclenche, le symbole LOCK est affiché.
 - Pour afficher le temps d'autonettoyage qui reste, appuyer et tenir enfoncée la touche CLEAN.
 - Pour afficher l'heure d'arrêt calculée, appuyer et tenir enfoncée la touche STOP TIME.
6. Appuyer sur la touche OVEN CANCEL quand le cycle est terminé.
 - Lorsque le four refroidit et qu'il atteint une température sécuritaire, la porte du four se déverrouille et le symbole LOCK se met à clignoter. Lorsque le symbole LOCK disparaît, la porte peut être ouverte.

Interruption du cycle d'autonettoyage

1. Appuyer sur la touche OVEN CANCEL.
2. Lorsque le four a refroidi à une température sécuritaire, la porte se déverrouillera et pourra être ouverte.

Guide de cuisson

Guide de cuisson ordinaire

Suivre ces recommandations uniquement pour connaître les temps de cuisson et les températures. Les durées, la position de la grille et les températures peuvent varier selon les conditions et le type de nourriture. Pour des résultats optimaux, toujours vérifier la nourriture au temps minimum.

Aliment	Température du four (degrés Fahrenheit) (Celsius)	Temps de cuisson (Minutes)
Gâteau des anges	350 (177)	28–50
Biscuits	350–375 (177–191)	8–16
Muffins	375–400 (191–204)	17–23
Gâteaux secs	325–350 (163–177)	7–18
Petits gâteaux	325–375 (163–191)	15–20
Carrés au chocolat	325–350 (163–177)	25–35
Gâteaux fourrés	325–350 (163–177)	20–30
Quatre-quarts	325 (163)	40–60
Tartes fraîches	375–425 (191–218)	35–50
Pain aux noix	350 (177)	45–55

Guide de cuisson sur le gril

Suivre ces recommandations uniquement pour connaître les temps de cuisson et les températures. Les durées, la position de la grille et les températures peuvent varier selon les conditions et le type de nourriture. Pour des résultats optimaux, toujours vérifier la nourriture au temps minimum.

Aliment	Épaisseur (cuisson)	Position de la grille (1 = plus élevée 5 = plus basse)	Temps de cuisson (Minutes)
Bifteck	1 po (2,54 cm) (à point)	3	14–16
Bifteck	1 po (2,54 cm) (bien cuit)	3	23
Bifteck	1 ½ po (3,8 cm) (à point)	3	23–28
Bifteck	1 ½ po (3,8 cm) (bien cuit)	3	33
Boeuf haché	(¾ - 1 po) (1,9 - 2,54 cm)	4	12–17
Filets et tranches de poisson		4	15–20
Côtelettes ou tranches de porc	1 po (2,54 cm)	3	15–16
Côtelettes ou tranches de porc	1 ½ po (3,8 cm)	3	23–28
Bacon		4	12–17
Tranche de jambon (pré-cuit)	½ po (1,3 cm)	3	20–25
Tranche de jambon (pré-cuit)	1 po (2,54 cm)	3	25–30

Guide de cuisson de la volaille

Suivre ces recommandations uniquement pour connaître les temps de cuisson et les températures. Les durées, la position de la grille et les températures peuvent varier selon les conditions et le type de nourriture. Pour des résultats optimaux, toujours vérifier la nourriture au temps minimum.

Aliment	Température du four (degrés Fahrenheit) (Celsius)	Temps de cuisson (Heures)
Poulet entier (4 à 5 lb) (1,8 à 1,2 kg)	375 °F (191 °C)	1 ½ à 1 ¾
Poulet entier (plus de 5 lb) (plus de 2,3 kg)	375 °F (191 °C)	1 ¾ à 2
Dinde (6 à 8 lb) (2,7 à 3,6 kg)	325 °F (163 °C)	3 ½ à 4
Dinde (8 à 12 lb) (3,6 à 5,5 kg)	325 °F (163 °C)	4 à 4 ½
Dinde (12 à 16 lb) (5,5 à 7,3 kg)	325 °F (163 °C)	5 ½
Dinde (16 à 20 lb) (7,3 à 9,1 kg)	325 °F (163 °C)	5 ½ à 7
Dinde (20 à 22 lb) (9,1 à 10 kg)	325 °F (163 °C)	7 à 8 ½
Canard (3 à 5 lb) (1,4 à 2,3 kg)	325 °F (163 °C)	1 ½ à 2

Guide de cuisson du boeuf et du porc

Suivre ces recommandations uniquement pour connaître les temps de cuisson et les températures. Les durées, la position de la grille et les températures peuvent varier selon les conditions et le type de nourriture. Pour des résultats optimaux, toujours vérifier la nourriture au temps minimum.

Aliment	Température du four (degrés Fahrenheit) (Celsius)	Temps de cuisson (Minutes/lb)
Rôti de boeuf (Saignant)	325 °F (163 °C)	20–25
Rôti de boeuf (À point)	325 °F (163 °C)	26–30
Rôti de boeuf (Bien cuit)	325 °F (163 °C)	33–35
Rôti désossé (Saignant)	325 °F (163 °C)	32–36
Rôti désossé (À point)	325 °F (163 °C)	36–40
Rôti désossé (Bien cuit)	325 °F (163 °C)	43–45
Jambon entier frais	325 °F (163 °C)	22–28
Longe de porc	325 °F (163 °C)	35–40
Épaule, fesse de porc	325 °F (163 °C)	40–45
Épaulette de porc	325 °F (163 °C)	35–40
Épaulette de jambon légèrement fumé	350 °F (177°C)	30–35

Nettoyage et entretien

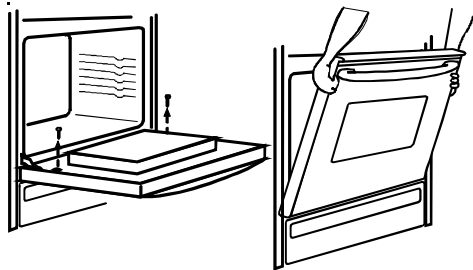
Retrait de la porte du four

ATTENTION

Pour éviter des blessures ou des dégâts matériels, manipuler la porte du four avec soin.

- La porte est lourde et peut s'endommager si elle est lâchée.
- Éviter de placer les mains près des charnières en enlevant la porte. Celles-ci peuvent se refermer brusquement et pincer les mains.
- Ne pas égratigner ou ébrécher la vitre, ou exercer une torsion sur la porte. La vitre pourrait se casser soudainement.
- Remplacer le verre de porte s'il est endommagé.
- Ne pas soulever la porte par la poignée.

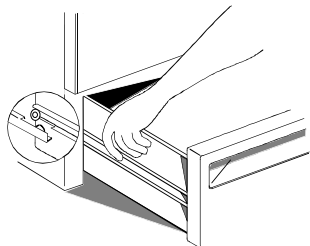
1. Ouvrir la porte.
2. Si nécessaire, retirer les vis.
 - Certaines portes de four sont fixées avec une vis sur chaque côté de la porte inférieure du four.
3. Arrêter la porte au premier butoir, saisir fermement la porte de chaque côté et la soulever jusqu'à ce qu'elle soit hors des charnières.
 - Ne pas soulever la porte par la poignée. La vitre pourrait se briser.
 - Pousser les charnières uniquement lorsque la porte du four a été enlevée si nécessaire. Utiliser les deux mains pour fermer la charnière. Celle-ci se met en place avec un claquement.



Retrait de la porte du four

Retrait du tiroir de rangement

1. Faire glisser le tiroir vers soi jusqu'à ce qu'il s'arrête.
2. Saisir les côtés du tiroir près de l'arrière de celui-ci.
3. Soulever et tirer.
 - Procéder à l'inverse pour le réinstaller.



Retrait du tiroir de rangement

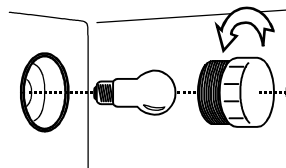
Remplacement de l'ampoule du four

MISE EN GARDE

Pour éviter tous risques de brûlures ou d'électrocution, couper l'alimentation de la cuisinière avant de remplacer l'ampoule électrique.

- Avant de remplacer l'ampoule électrique, s'assurer qu'elle a refroidi.
- Porter des gants de protection.
- Ne pas faire fonctionner le four sans que l'ampoule et le couvre-ampoule ne soient bien en place.

1. Couper l'alimentation.
2. Enlever la porte du four si désiré.
3. Dévisser le couvre-ampoule se trouvant à l'arrière de l'ouverture du four. Puis tourner l'ampoule dans le sens antihoraire pour l'enlever.
4. Remplacer l'ampoule électrique par une autre de 40 watts, 120 volts, pour appareils électroménagers.
 - Ne pas trop serrer l'ampoule car il pourrait être difficile de la dévisser plus tard.
5. Replacer le couvre ampoule et la porte du four avant usage.
6. Brancher l'appareil.



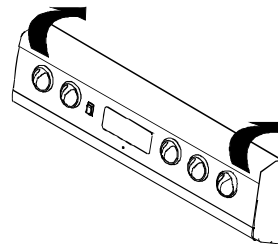
Remplacement de l'ampoule du four

Remplacement de Lumière du tableau (ARG7800)

1. Soulever le bord avant de la garniture supérieure du dossier et la dégager vers l'arrière.
2. Dévisser l'ampoule fluorescente afin de la retirer de la douille.

ATTENTION

Porter des gants afin de protéger les mains au cas où l'ampoule se briserait accidentellement.



Remplacement de Lumière du tableau

Nettoyage

Pièce	Produits	Indications
Couvre-brûleurs et grilles de brûleurs	Eau savonneuse	Laisser refroidir avant de nettoyer. Le nettoyage fréquent à l'eau savonneuse à l'aide d'un tampon à récurer non abrasif permet d'espacer les nettoyages en profondeur. Veiller à bien sécher.
Couvre-brûleurs et grilles de brûleurs difficiles à nettoyer	½ tasse d'ammoniaque	Placer les couvre-brûleurs et les grilles de brûleurs dans un sac en plastique avec ½ tasse d'ammoniaque. Ne pas verser l'ammoniaque dans le sac. L'ammoniaque doit rester dans la tasse. Pour éviter que les grilles ne rouillent, ne pas les faire tremper dans l'ammoniaque. Fermer hermétiquement le sac et laisser l'ammoniaque agir jusqu'au lendemain. Au moment d'ouvrir le sac, détourner le visage pour éviter de respirer les vapeurs d'ammoniaque ou leur contact avec les yeux. Enlever les articles du sac en plastique et rincer. Nettoyer en suivant les indications précédentes.
Structure du brûleur	Savon et tampon à récurer non abrasif, linge, brosse à dents ou broche droite	Laisser refroidir avant de nettoyer. Nettoyer la structure du brûleur avec de l'eau chaude savonneuse et un linge propre. Si les orifices de la structure sont obstrués, nettoyer avec une brosse à dents ou une broche droite. Ne pas utiliser de cure-dents. Après le nettoyage, remettre en place les couvre-brûleurs et mettre le brûleur en marche pour en vérifier le fonctionnement. Voir la rubrique Fonctionnement des brûleurs pour <i>l'utilisation des brûleurs</i> . (Figure 18)
Lèchefrite et grille	Savon et tampon à récurer non abrasif	Éliminer la graisse, laisser la lèchefrite et la grille refroidir légèrement. (Ne pas laisser la lèchefrite et la grille sales refroidir dans le four.) Mettre un peu de savon. Remplir la lèchefrite d'eau tiède. Laisser la lèchefrite et la grille reposer quelques minutes. Laver ou récurer si nécessaire. Rincer et sécher. La lèchefrite et la grille peuvent également être lavées au lave-vaisselle.
Boutons de réglage	Savon doux et eau	Enlever les boutons. Les laver avec douceur, sans les faire tremper. Les sécher et les remettre en place en veillant à les placer de façon à ce que la partie plate de l'orifice du bouton corresponde à la partie plate de la tige.
Intérieur de la porte du four	Eau savonneuse	Nettoyer l'extérieur de la porte et la vitre à l'eau savonneuse tiède. Ne pas nettoyer le joint de la porte du four. Ne pas déplacer le joint pendant le nettoyage. Éviter le contact de tout produit de nettoyage avec le joint.
Fini extérieur et dossier	Eau savonneuse	Nettoyer les surfaces en verre avec un linge humidifié d'eau savonneuse. Rincer et faire briller à l'aide d'un linge sec. Si les boutons sont enlevés, ne pas faire couler d'eau derrière la surface.
Surfaces intérieures du four	Eau savonneuse	Laisser refroidir avant de nettoyer. Nettoyer fréquemment ces surfaces à l'eau et au savon doux pour espacer les nettoyages en utilisant la fonction d'autonettoyage. Veiller à rincer à fond.
Grilles du four et tiroir de rangement	Eau savonneuse	S'ils sont très sales, les nettoyer à la main et rincer à fond. Enlever le tiroir et les grilles pour en faciliter le nettoyage. Veiller à ce que le tiroir soit sec avant de le remettre en place.

Avant d'appeler le service de dépannage

Problème	Vérifier ces points
Le brûleur ne s'allume pas.	<p>Le brûleur doit s'allumer dans un délai de 4 secondes. Si le brûleur ne s'allume pas dans un délai de 4 secondes, tourner le bouton de commande à « OFF » (arrêt) et suivre les directives de la rubrique « Placement des grilles et des couvre-brûleurs ».</p> <p>Si le couvre-brûleur est placé correctement, voir la rubrique « Fonctionnement du brûleur durant une panne de secteur » pour vérifier l'alimentation en gaz du brûleur. Si le brûleur s'allume, vérifier que la cuisinière est branchée, que le disjoncteur n'est pas déclenché, ou que le fusible n'a pas sauté.</p> <p>Si le brûleur ne s'allume toujours pas dans un délai de 4 secondes, appeler un prestataire de service après-vente agréé.</p>
Les casseroles basculent sur les grilles du brûleur de surface.	<p>Voir la rubrique « ustensiles » pour vérifier si le fond de la casserole est plat. Les grilles du brûleur de surface sont munies de 3 dents plus élevées que les autres afin que les casseroles reposent sur les grilles sur 3 points. Comme un trépied, cette conception triangulaire empêche les casseroles à fond plat de basculer. Si la casserole n'est pas centrée sur la grille ou est vide, elle peut basculer légèrement. Le poids du manche d'une casserole vide peut faire basculer la casserole car il se trouve sur le rebord extérieur de celle-ci. Lorsqu'il y a de la nourriture dans les casseroles, elles ne devraient pas basculer à moins de ne pas être centrées.</p>
La lumière du four ne s'allume pas.	<p>Vérifier si l'ampoule est bien vissée. Vérifier si l'ampoule n'a pas grillé ; la remplacer par une ampoule pour appareils électro ménagers de 40 W.</p>
Le four ne chauffe pas.	<p>Vérifier que la cuisinière est branchée.</p> <p>Si le brûleur de surface et le brûleur du four s'allument, vérifier le disjoncteur. Vérifier le réglage des commandes.</p>
La porte du four ne s'ouvre pas.	<p>Attendre que le four refroidisse. Le système de verrouillage du four se désenclenche automatiquement une fois que le four a refroidi. Ne pas forcer le dispositif de verrouillage.</p>
Le four ne chauffe pas à la bonne température.	<p>Les thermomètres pour four achetés dans le commerce ne mesurent pas correctement la température du four. Un thermomètre numérique précis est nécessaire pour étalonner le four.</p> <p>Vérifier que les conduits d'air ne sont pas bloqués.</p> <p>Le papier d'aluminium modifie la température du four.</p> <p>Régler la température en utilisant la commande prévue à cet effet.</p>
Le four s'allume et s'éteint régulièrement.	<p>Ceci est normal lors d'une cuisson au four ou au gril. Pour maintenir la température désirée, le four s'allume et s'éteint. L'écart de température peut varier jusqu'à plus ou moins 25 °F par rapport à celle qui a été programmée.</p>
Le four dégage de la fumée les premières fois qu'il est utilisé.	<p>Il est normal qu'il se dégage un peu de fumée les premières fois qu'un four est utilisé.</p>
Une odeur ou de la fumée se dégage pendant le cycle d'autonettoyage.	<p>Il est possible qu'il se dégage une odeur ou de la fumée lors des premiers cycles d'autonettoyage. Si l'odeur persiste ou que la fumée est excessive, le fond du four est sale. S'il se dégage trop de fumée, éteindre le four, attendre qu'il refroidisse et essuyer la saleté. Programmer de nouveau le cycle d'autonettoyage.</p>
Le dessus de la cuisinière devient chaud pendant son fonctionnement.	<p>Ceci est normal.</p>
La nourriture cuit lentement ou ne grille pas de façon constante.	<p>Un plat de cuisson inadéquat peut donner de mauvais résultats. Les plats doivent être fabriqués avec un matériau lourd et leur diamètre doit être identique à celui de l'élément chauffant. Voir la rubrique « Plats de cuisson ».</p>

**Amana® APPAREILS DE CUISSON AMANA® (sauf les fours encastrés)
GARANTIE COMPLÈTE D'UN AN**

**GARANTIE LIMITÉE PENDANT LA DEUXIÈME ANNÉE SUR TOUTES LES PIÈCES
GARANTIE LIMITÉE ENTRE LA TROISIÈME ET LA CINQUIÈME ANNÉE SUR LA SURFACE DE CUISSON EN VITROCÉRAMIQUE, LES ÉLÉMENTS DE SURFACE ÉLECTRIQUES OU LES BRÛLEURS À GAZ DE SURFACE**

PREMIÈRE ANNÉE

Amana Appliances réparera ou remplacera, sans aucun frais, toute pièce (f.a.b. Amana, Iowa) s'avérant défectueuse en raison des matériaux ou de la main-d'oeuvre.

DEUXIÈME ANNÉE

Amana Appliances fournira, sans aucun frais, une pièce de rechange, pièce seulement (f.a.b. Amana, Iowa), pour tout composant s'avérant défectueux en raison des matériaux ou de la main-d'oeuvre.

TROISIÈME ANNÉE À CINQUIÈME ANNÉE

Amana Appliances fournira, sans aucun frais, une surface de cuisson en vitrocéramique de rechange, pièce seulement (f.a.b. Amana, Iowa), s'avérant défectueuse en raison des matériaux ou de la main-d'oeuvre.

TROISIÈME ANNÉE À CINQUIÈME ANNÉE

Amana Appliances fournira, sans aucun frais, des éléments de surface électriques ou des brûleurs de surface à gaz de rechange, pièce seulement (f.a.b. Amana, Iowa), s'avérant défectueux en raison des matériaux ou de la main-d'oeuvre.

RESPONSABILITÉS DU PROPRIÉTAIRE:

- Remettre toute pièce défectueuse à un technicien agréé par Amana.
- Fournir une preuve d'achat (récépissé de vente).
- Procéder à l'entretien normal, y compris le nettoyage tel qu'indiqué dans le manuel du propriétaire.
- Remplacer les composants tel qu'indiqué dans le manuel du propriétaire.
- Faciliter l'accès à l'appareil lors des réparations.
- Payer le supplément lorsque le technicien doit procéder à une réparation en dehors des heures d'ouverture normales.
- Payer les frais de visite relativement à l'installation de l'appareil et à l'éducation du consommateur.
- Payer les frais de main-d'oeuvre et de déplacement du technicien en vertu des dispositions limitées de la garantie.

CE QUI N'EST PAS COUVERT:

- L'entretien normal et le nettoyage du produit.
- Les ampoules électriques.
- Les dommages subis pendant l'installation et l'expédition.
- Toute reconstruction qui ne constitue pas une réparation couverte par la garantie.
- Les pannes causées par ce qui suit :
 - Service après-vente non autorisé.
 - Accumulation de graisse ou autre substance en raison d'un entretien ou un nettoyage inadéquat.
 - Endommagement accidentel ou intentionnel.
 - Mauvaise connexion du gaz ou de l'électricité.
 - Désastre naturel.
 - Utilisation inadéquate de casseroles, récipients ou accessoires qui peuvent endommager le produit.

LIMITES DE LA GARANTIE:

- Commence à la date de l'achat original.
- Les produits utilisés à des fins commerciales ou locatives ne sont pas couverts par cette garantie.
- S'applique à un appareil utilisé aux États-Unis ou au Canada si cet appareil est approuvé par l'Association canadienne de normalisation en quittant l'usine.
- Toute réparation doit être effectuée par un technicien agréé par Amana.
- Les ajustements sont couverts durant la première année seulement.

LA GARANTIE EST NULLE ET NON AVENUE SI:

- La plaque du numéro de série est illisible.
- L'appareil a été modifié par l'utilisateur.
- L'appareil est utilisé ou installé de façon incorrecte.

EN AUCUN CAS AMANA APPLIANCES N'EST RESPONSABLE DES DOMMAGES INDIRECTS OU ACCESSOIRES*

* Cette garantie vous donne des droits légaux spécifiques et vous pourriez bénéficier d'autres droits qui varient selon l'état ou la province où vous demeurez. Par exemple, certains états ou provinces ne permettant pas l'exclusion ou la limitation des dommages indirects ou accessoires, cette exclusion ne s'applique pas forcément à votre cas.

Pour toutes questions concernant ce qui précède ou pour connaître l'adresse du technicien agréé par Amana le plus proche, contacter :

Amana Appliances
2800 220th Trail
PO Box 8901
Amana, Iowa 52204-0001
États-Unis
1-800-843-0304 aux États-Unis
1-319-622-5511 de l'extérieur des États-Unis

Instructions de référence rapide

Lire les « Mesures de sécurité importantes » avant d'utiliser les « Instructions de référence rapide ». Si des questions demeurent sans réponse, voir les rubriques détaillées de ce manuel.

Réglage de l'horloge

1. Appuyer sur la touche CLOCK.
2. Appuyer sur la touche ▲ ou ▼ jusqu'à ce que l'heure exacte soit affichée.
3. Appuyer sur la touche OVEN CANCEL pour régler l'heure.

Réglage de la minuterie

1. Appuyer sur la touche TIMER ON/OFF.
2. Appuyer sur ▲ ou ▼ jusqu'à ce que la durée exacte soit affichée.
3. Lorsque le temps s'est écoulé, la minuterie émet 3 signaux sonores pour ensuite retentir à chaque 6 à 8 secondes.

Annulation de la minuterie

- Appuyer sur la touche TIMER ON/OFF et la maintenir enfoncée pendant 3 secondes.
- Lors de l'annulation de la minuterie, ne pas appuyer sur la touche OVEN CANCEL. Cela annulerait la fonction de cuisson.

La cuisson au four conventionnel

1. Appuyer sur la touche BAKE.
2. Appuyer sur ▲ ou ▼ jusqu'à ce que la température désirée soit affichée.
3. Appuyer sur la touche OVEN CANCEL (annuler le four) une fois la cuisson terminée.

Cuisson minutée au four conventionnel

1. Placer la nourriture dans le four.
2. Appuyer sur la touche COOK TIME.
3. Appuyer sur la touche ▲ ou ▼ jusqu'à ce que le temps de cuisson soit affiché.
4. Appuyer sur la touche BAKE.
5. Appuyer sur ▲ ou ▼ jusqu'à ce que la température désirée soit affichée.
6. Appuyer sur la touche OVEN CANCEL quand le temps de cuisson est terminé.

Pour annuler la durée de cuisson qui reste, appuyer sur la touche OVEN CANCEL.

Cuisson retardée au four conventionnel

1. Placer la nourriture dans le four.
2. Appuyer sur la touche BAKE.
3. Appuyer sur ▲ ou ▼ jusqu'à ce que la température désirée soit affichée.
4. Appuyer sur la touche STOP TIME.
5. Appuyer sur ▲ ou ▼ jusqu'à ce que la durée de cuisson désirée soit affichée.
6. Appuyer sur la touche COOK TIME.
7. Appuyer sur ▲ ou ▼ jusqu'à ce que le temps de cuisson désiré soit affiché.
8. Lorsque le temps de cuisson est écoulé, le signal de fin de cycle se fait entendre, le four s'éteint automatiquement et l'affichage revient à l'heure du jour. Le signal du four retentit 3 fois, puis une fois à toutes les 3 secondes pendant 5 minutes ou jusqu'à ce que la touche OVEN CANCEL soit activée.

Pour annuler la durée de cuisson restante

Appuyer sur la touche OVEN CANCEL.

Cuisson sur le grill

1. Centrer la nourriture sur le grill et le plat, et la placer dans le four.
2. Appuyer sur la touche BROIL.
3. Appuyer sur ▲ ou ▼.

Autonettoyage

1. Préparer le four pour le cycle autonettoyage
2. Appuyer sur la touche CLEAN.
3. Appuyer sur ▲ ou ▼ jusqu'à ce que la durée de nettoyage désirée soit affichée.

Interruption du cycle d'autonettoyage

1. Appuyer sur la touche OVEN CANCEL.
2. Lorsque le four refroidit et qu'il atteint une température sécuritaire, la porte se déverrouillera et pourra être ouverte.

Autonettoyage retardé

1. Préparer le four pour l'autonettoyage.
2. Appuyer sur la touche CLEAN.
3. Appuyer sur ▲ ou ▼ jusqu'à ce que la durée de nettoyage désirée soit affichée.
4. Appuyer sur la touche STOP TIME.
5. Appuyer sur ▲ ou ▼ jusqu'à ce que l'heure d'arrêt désirée soit affichée.

Interruption du cycle d'autonettoyage

1. Appuyer sur la touche OVEN CANCEL.
2. Lorsque le four a refroidi à une température sécuritaire, la porte se déverrouillera et pourra être ouverte.